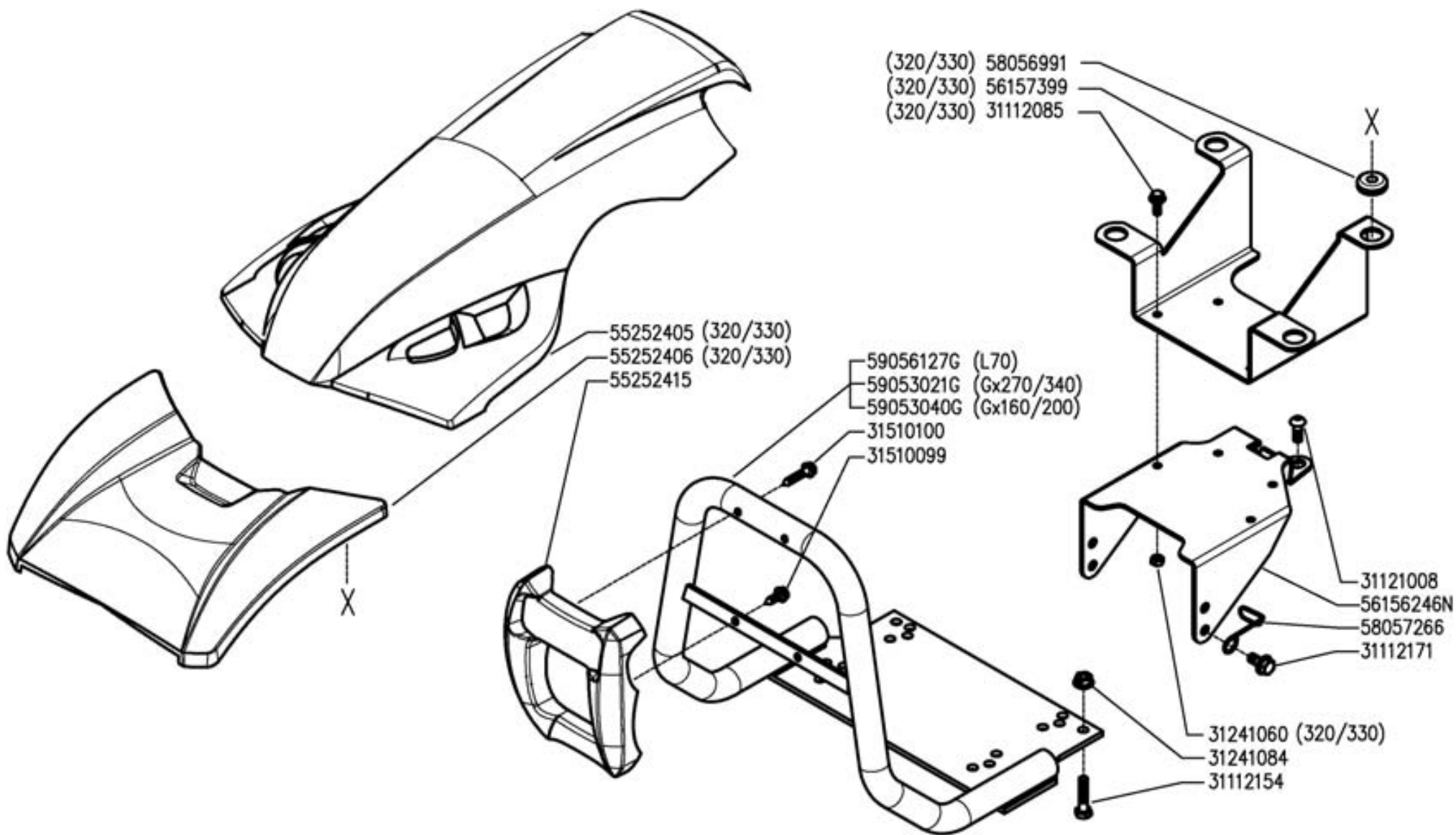


# Inhoudsopgave

Asjes Power Safe .....	25
Bumper & Motorkapjes .....	3
Drijfwerk Filter .....	19
Drijfwerk Huis .....	33
Elektrische Delen .....	59
Handels aan Stuur .....	45
Index .....	71
Koppeling Power Safe .....	13
Motor Flenzen .....	29
Power Safe .....	5
PTO & Tandwielen .....	39
PTO & Tandwielen 310 .....	35
Remmen .....	51
Schakelpoken .....	47
Stickers .....	63
Stuurboom .....	41
Stuur & Kabels .....	43
Wiel As .....	37
Wielen & Gewichten .....	55

<b>Code</b>	<b>Description</b>	<b>Notes</b>
A01_0_66711	ENGINE PROTECTIONES	
B01_0_66748	POWERSAFE CLUCH CONTROL	
B01_1_72788	POWERSAFE CLUCH CONTROL	
B01_2_77329	POWERSAFE CLUCH CONTROL	
B.01.01.A0001_03	POWERSAFE CLUCH CONTROL	
C01_0_66780	CYLINDER AND POWERSAFE CLUTCH	
C01_1_72820	CYLINDER AND POWERSAFE CLUTCH	
C.01.01.A0001_02	CYLINDER AND POWERSAFE CLUTCH	
D01_0_66794	POWERSAFE FILTER UNIT	
D01_1_77361	POWERSAFE FILTER UNIT	
D.01.01.A0001_02	POWERSAFE FILTER UNIT	
E01_0_66804	POWERSAFE CLUTCH HUB	
E01_1_77371	POWERSAFE CLUTCH HUB	
F01_0_66821	ENGINE FLANGES	
F01_1_77388	ENGINE FLANGES	
G01_0_66844	GEARBOX	
H01_0_66868	GEARS	
I01_0_67010	WHEELS AXLE	
H.01.01.A0003_01	H01_01 - INGRANAGGI CAMBIO	
J01_0_67154	STEERING COLUMN	
K01_0_67213	HANDLEBAR	
L01_0_67298	HANDLEBAR CONTROLS	
M01_0_67400	CONTROLS	
N01_0_67516	BRAKE	
N.01.01.A0003_01	BRAKE	
P01_0_67539	WHEELS	
P01_1_81340	WHEELS	
Q01_0_67569	ELECTRIC STARTER	
Q01_1_81859	ELECTRIC STARTER	
R01_0_67594	STICKERS	
R02_0_67613	STICKERS	
R02_1_82042	STICKERS	
R.02.01.A0003_02	STICKERS	



**FERRARI**

300 serie PS  
PowerSafe®

ENGINE PROTECTIONS  
PROTECCIONES MOTOR

PROTEZIONI MOTORE  
( 310 / 320 / 330 )

PROTECTIONS MOTEUR  
MOTORSCHUTZ

DALLA MACCHINA  
DE LA MAQUINA  
DE LA MACHINE  
FROM THE MACHINE  
AB DER MASCHINE

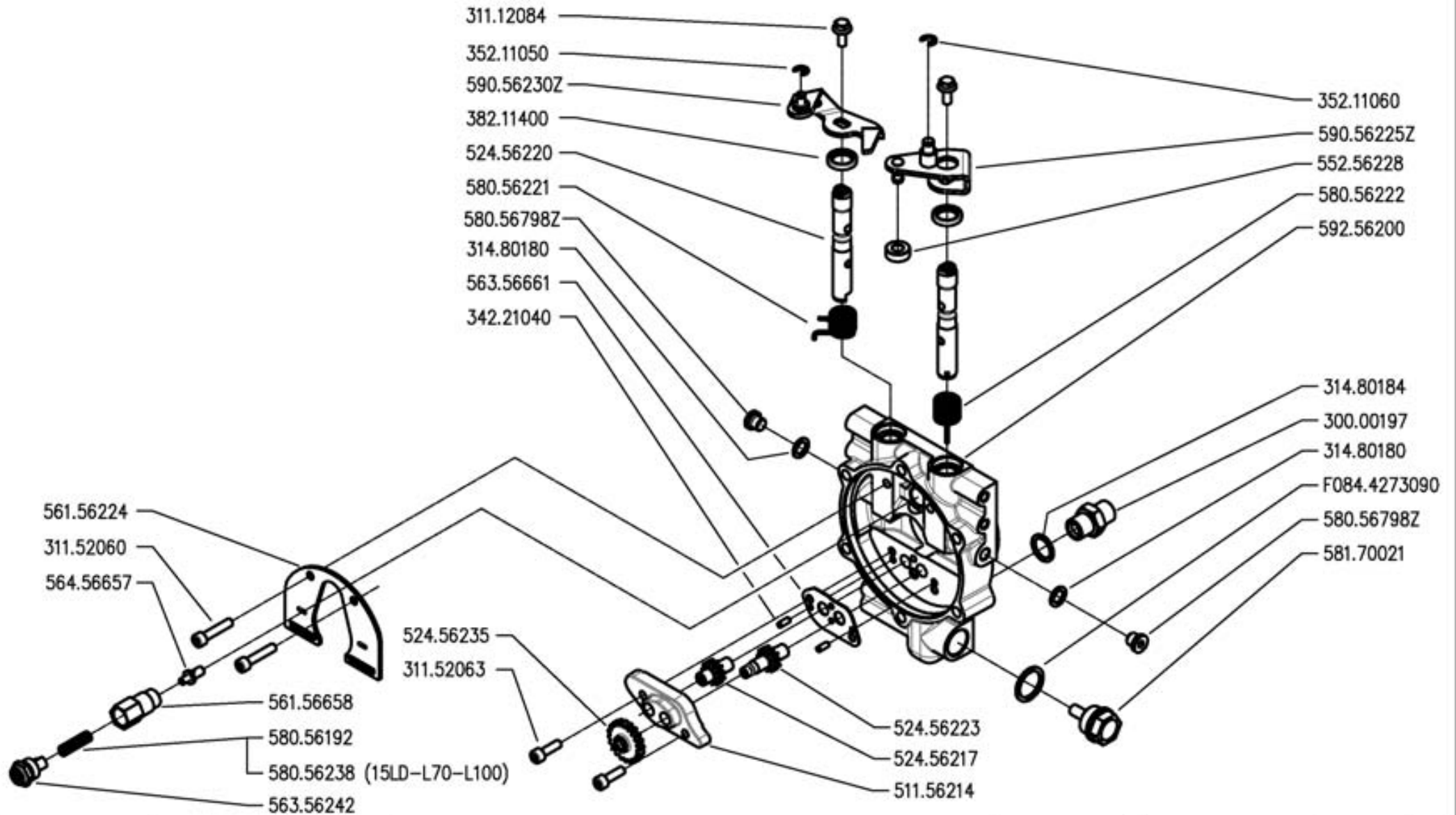
N.

A01 0

05/2009

Rev.

Pos.	Code	Q.ty	Description	Notes
31112085	31112085	1	SCREW TE M6X16 DIN 6921 8G	
31112154	31112154	1	SCREW TE M8X40 UNI 5739 8G	
31112171	31112171	1	SCREW TE C/F M8X16 DIN 6921	
31121008	31121008	1	SCREW TBCEI M10X16 ISO 7380	
31241060	31241060	1	SELFLOCK NUT M6	
31241084	31241084	1	SELFLOCK NUT M8 6S	
31510099	31510099	1	RIBBED SCREW 6,3X38 UNI 6950	
31510100	31510100	1	RIBBED SCREW 6,3X19 UNI 6950	
55252405	55252405	1	GUARD	
55252406	55252406	1	GUARD	
55252415	55252415	1	GUARD	
56157399	56157399	1	HOLDER	
58056991	58056991	1	CABLE GLAND	
58057266	58057266	1	HOLDER	
56156246	56156246N	1	TUNNEL CORTO	
59053021	59053021G	1	COMPLETE BUMPERS	
59053040	59053040G	1	COMPLETE BUMPERS	
59056127	59056127G	1	COMPLETE BUMPERS	



300 serie PS  
 PowerSafe®

COMANDO FRIZIONE POWERSAFE

POWERSAFE CLUTCH CONTROL  
 CONTROL EMBRAGUE POWERSAFE

CONTRÔLE EMBRAYAGE POWERSAFE  
 REGELUND POWERSAFE KUPPLUNG

DALLA MACCHINA  
 DE LA MAQUINA  
 DE LA MACHINE  
 FROM THE MACHINE  
 AB DER MASCHINE

N.

B01 0

05/2009

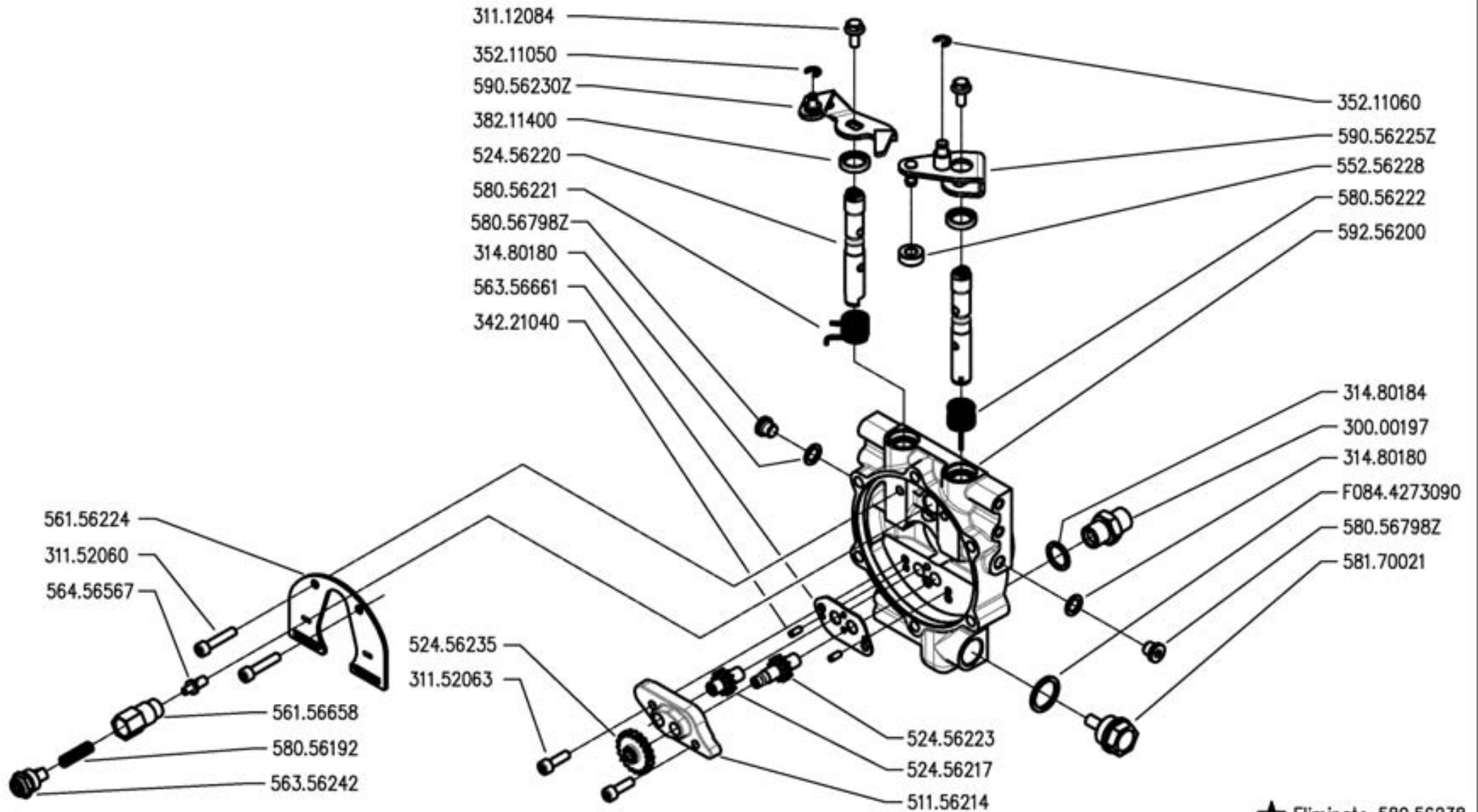
Pos.	Code	Q.ty	Description	Notes
30000197	30000197	1	NIPPLE	
31112084	31112084	1	VITE TE C/F M6X14 DIN 6921 8G	
31152060	31152060	1	SCREW TCEI M6X30 UNI 5931	
31152063	31152063	1	SCREW TCEI M6X20 UNI 5931	
31480180	31480180	1	COPPER WASHER 10,2x16/1	
31480184	31480184	1	COPPER WASHER 16,7x22/1,5	
34221040	34221040	1	CYLINDRICAL PLUG	
35211050	35211050	1	SEEGER RING	
35211060	35211060	1	SEEGER RING E 6 UNI 7434	
38211400	38211400	1	OIL SEAL 14X22X4	
51156214	51156214	1	COVER	
52456217	52456217	1	DRIVEN GEAR	
52456220	52456220	1	DISTRIBUTOR	
52456223	52456223	1	GEAR	
52456235	52456235	1	PUMP GEAR	
55256228	55256228	1	ROLLER	
56156224	56156224	1	SHIELD	
56156658	56156658	1	VALVE SEAT	
56356242	56356242	1	TAPPO VALVOLA	
56356661	56356661	1	COUNTERWEIGHT	
56456657	56456657	1	VALVE	
58056192	58056192	1	SPRING	
58056221	58056221	1	SPRING	
58056222	58056222	1	SPRING	
58056238	58056238	1	SPRING	
58170021	58170021	1	PLUG	
59256200	59256200	1	CLUTCH FLANGE	
58056798	58056798Z	1	TAPPO 1/8 GAS DIN 908 ZNT/B	
59056225	59056225Z	1	CLUTCH LEVER	
59056230	59056230Z	1	LEVER	
F0844273	F0844273090	1	GASKET 22X28X1,5 CU 99,5	

SERIAL

**POWERSAFE CLUCH CONTROL**

CODE REV

**B01\_0\_66748**



300 serie PS  
**PowerSafe®**

COMANDO FRIZIONE POWERSAFE

POWERSAFE CLUTCH CONTROL  
 CONTROL EMBRAGUE POWERSAFE

CONTRÔLE EMBRAYAGE POWERSAFE  
 REGELUND POWERSAFE KUPPLUNG

DALLA MACCHINA  
 DE LA MAQUINA  
 DE LA MACHINA  
 FROM THE MACHINE  
 AB DER MASCHINE

★ N.

852604

B01

Rev.

1

04/2010

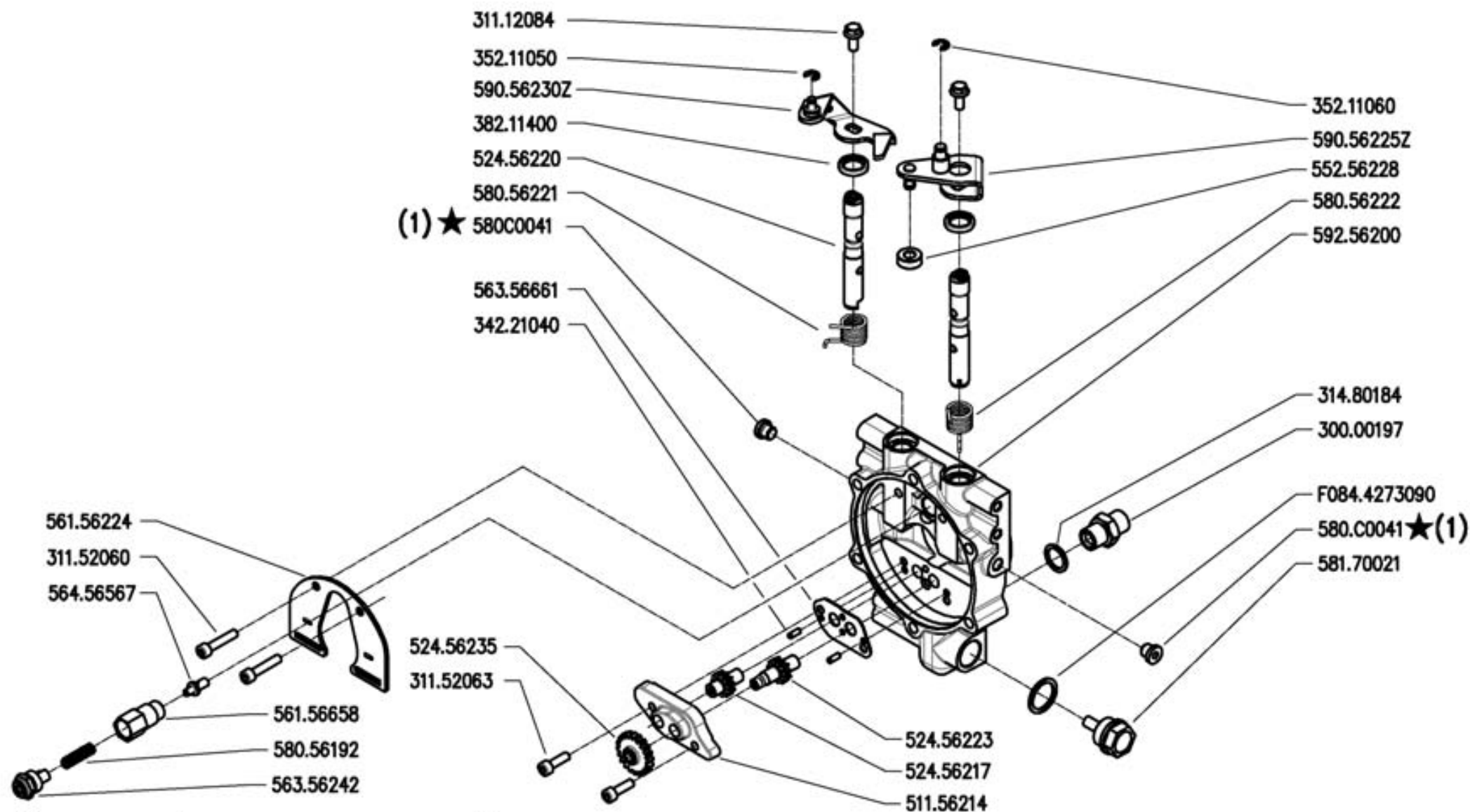
Pos.	Code	Q.ty	Description	Notes
30000197	30000197	1	NIPPLE	
31112084	31112084	1	VITE TE C/F M6X14 DIN 6921 8G	
31152060	31152060	1	SCREW TCEI M6X30 UNI 5931	
31152063	31152063	1	SCREW TCEI M6X20 UNI 5931	
31480180	31480180	1	COPPER WASHER 10,2x16/1	
31480184	31480184	1	COPPER WASHER 16,7x22/1,5	
34221040	34221040	1	CYLINDRICAL PLUG	
35211050	35211050	1	SEEGER RING	
35211060	35211060	1	SEEGER RING E 6 UNI 7434	
38211400	38211400	1	OIL SEAL 14X22X4	
51156214	51156214	1	COVER	
52456217	52456217	1	DRIVEN GEAR	
52456220	52456220	1	DISTRIBUTOR	
52456223	52456223	1	GEAR	
52456235	52456235	1	PUMP GEAR	
55256228	55256228	1	ROLLER	
56156224	56156224	1	SHIELD	
56156658	56156658	1	VALVE SEAT	
56356242	56356242	1	TAPPO VALVOLA	
56356661	56356661	1	COUNTERWEIGHT	
56456657	56456657	1	VALVE	
58056192	58056192	1	SPRING	
58056221	58056221	1	SPRING	
58056222	58056222	1	SPRING	
58170021	58170021	1	PLUG	
59256200	59256200	1	CLUTCH FLANGE	
58056798	58056798Z	1	TAPPO 1/8 GAS DIN 908 ZNT/B	
59056225	59056225Z	1	CLUTCH LEVER	
59056230	59056230Z	1	LEVER	
F0844273	F0844273090	1	GASKET 22X28X1,5 CU 99,5	

SERIAL  
START  
**852604**

**POWERSAFE CLUCH CONTROL**

CODE REV  
**B01\_1\_72788**





(1) sostituisce (580.56798Z + 314.80180)



300 serie PS  
 PowerSafe®

COMANDO FRIZIONE POWERSAFE

POWERSAFE CLUTCH CONTROL  
 CONTROL EMBRAGUE POWERSAFE

CONTRÔLE EMBRAYAGE POWERSAFE  
 REGELUNG POWERSAFE KUPPLUNG

DALLA MACCHINA  
 DE LA MAQUINA  
 DE LA MACHINA  
 FROM THE MACHINE  
 AB DER MASCHINE

★ N.

AGGIORNAMENTO  
 APLAZAMIENTO  
 MISE A JOUR  
 REVISION  
 ANPASSUNG

B01

Rev.  
 2

09/2010

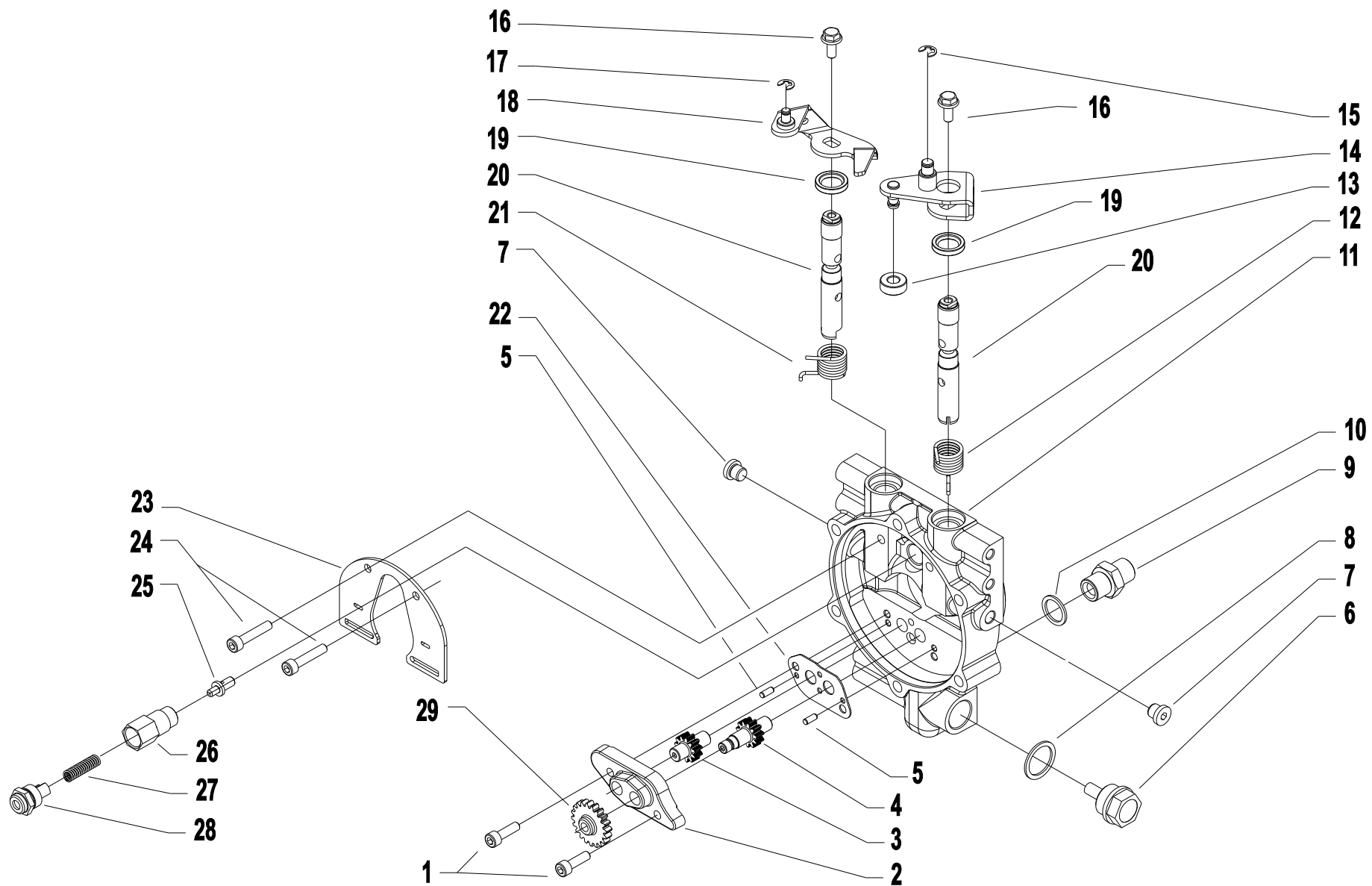
Pos.	Code	Q.ty	Description	Notes
31112084	31112084	1	VITE TE C/F M6X14 DIN 6921 8G	
31152060	31152060	1	SCREW TCEI M6X30 UNI 5931	
31152063	31152063	1	SCREW TCEI M6X20 UNI 5931	
31480184	31480184	1	COPPER WASHER 16,7x22/1,5	
34221040	34221040	1	CYLINDRICAL PLUG	
35211050	35211050	1	SEEGER RING	
35211060	35211060	1	SEEGER RING E 6 UNI 7434	
38211400	38211400	1	OIL SEAL 14X22X4	
51156214	51156214	1	COVER	
52456217	52456217	1	DRIVEN GEAR	
52456220	52456220	1	DISTRIBUTOR	
52456223	52456223	1	GEAR	
52456235	52456235	1	PUMP GEAR	
55256228	55256228	1	ROLLER	
56156224	56156224	1	SHIELD	
56156658	56156658	1	VALVE SEAT	
56356242	56356242	1	TAPPO VALVOLA	
56356661	56356661	1	COUNTERWEIGHT	
56456657	56456657	1	VALVE	
58056192	58056192	1	SPRING	
58056221	58056221	1	SPRING	
58056222	58056222	1	SPRING	
580C0041	580C0041	1	TAPPO 1/8 GAS - 107601 CAST	
58170021	58170021	1	PLUG	
59256200	59256200	1	CLUTCH FLANGE	
59056225	59056225Z	1	CLUTCH LEVER	
59056230	59056230Z	1	LEVER	
F0844273	F0844273090	1	GASKET 22X28X1,5 CU 99,5	

SERIAL

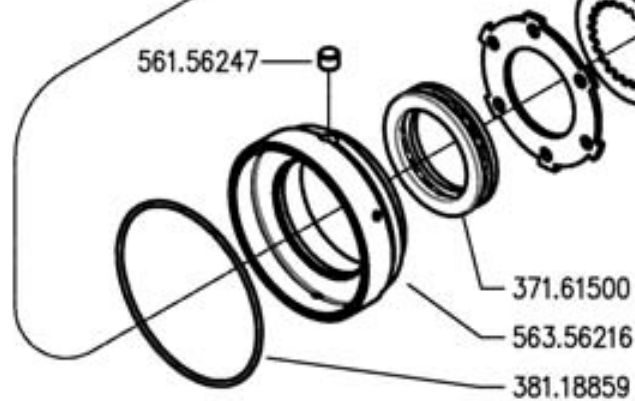
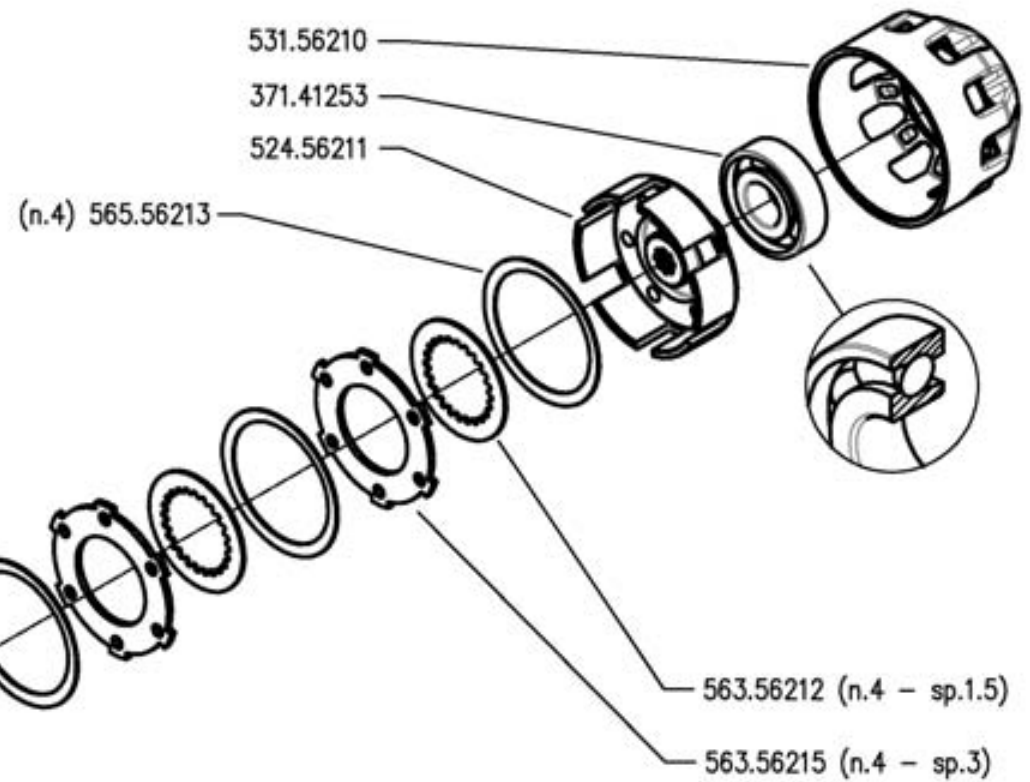
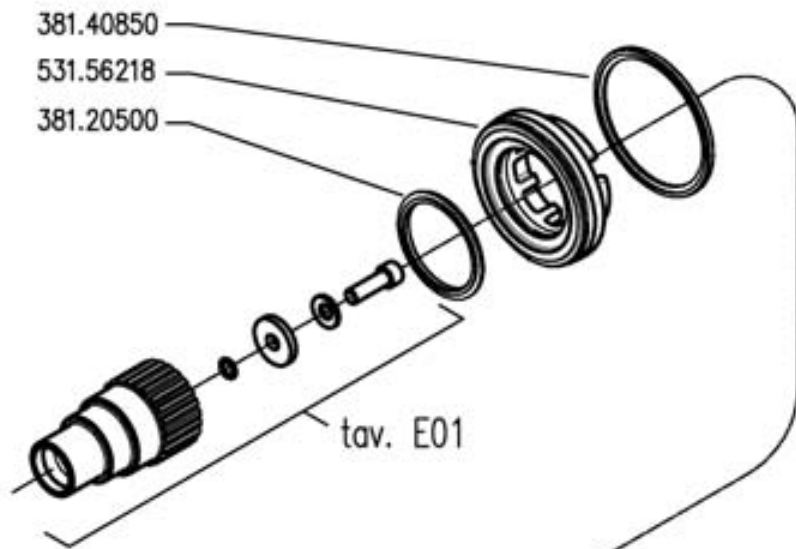
**POWERSAFE CLUCH CONTROL**

CODE REV

**B01\_2\_77329**



Pos.	Code	Q.ty	Description	Notes
1	31152063	1	SCREW TCEI M6X20 UNI 5931	
2	51156214	1	COVER	
3	52456217	1	DRIVEN GEAR	
4	52456223	1	GEAR	
5	34221040	1	CYLINDRICAL PLUG	
6	58170021	1	PLUG	
7	580C0041	1	TAPPO 1/8 GAS - 107601 CAST	
8	F0844273090	1	GASKET 22X28X1,5 CU 99,5	
9	30000197	1	NIPPLE	
10	31480184	1	COPPER WASHER 16,7x22/1,5	
11	59256200	1	CLUTCH FLANGE	
12	58056222	1	SPRING	
13	55256228	1	ROLLER	
14	59056225Z	1	CLUTCH LEVER	
15	35211060	1	SEEGER RING E 6 UNI 7434	
16	31112084	1	VITE TE C/F M6X14 DIN 6921 8G	
17	35211050	1	SEEGER RING	
18	59056298Z	1	LEVA STOP C.TA ZNT	Replaces 59056230Z from serial 901289
19	38211400	1	OIL SEAL 14X22X4	
20	52456220	1	DISTRIBUTOR	
21	58056221	1	SPRING	
22	56356661	1	COUNTERWEIGHT	
23	56156224	1	SHIELD	
24	31152060	1	SCREW TCEI M6X30 UNI 5931	
25	56456657	1	VALVE	
26	56156658	1	VALVE SEAT	
27	58056683	1	MOLLA VALVOLA 2.5	Replaces 58056192 from serial number 883609
28	56356242	1	TAPPO VALVOLA	



300 serie PS  
PowerSafe®

CILINDRO E FRIZIONE POWERSAFE

CYLINDER AND POWERSAFE CLUTCH

CILINDRO Y EMBRAGUE POWERSAFE

CYLINDER ET EMBRAYAGE POWERSAFE

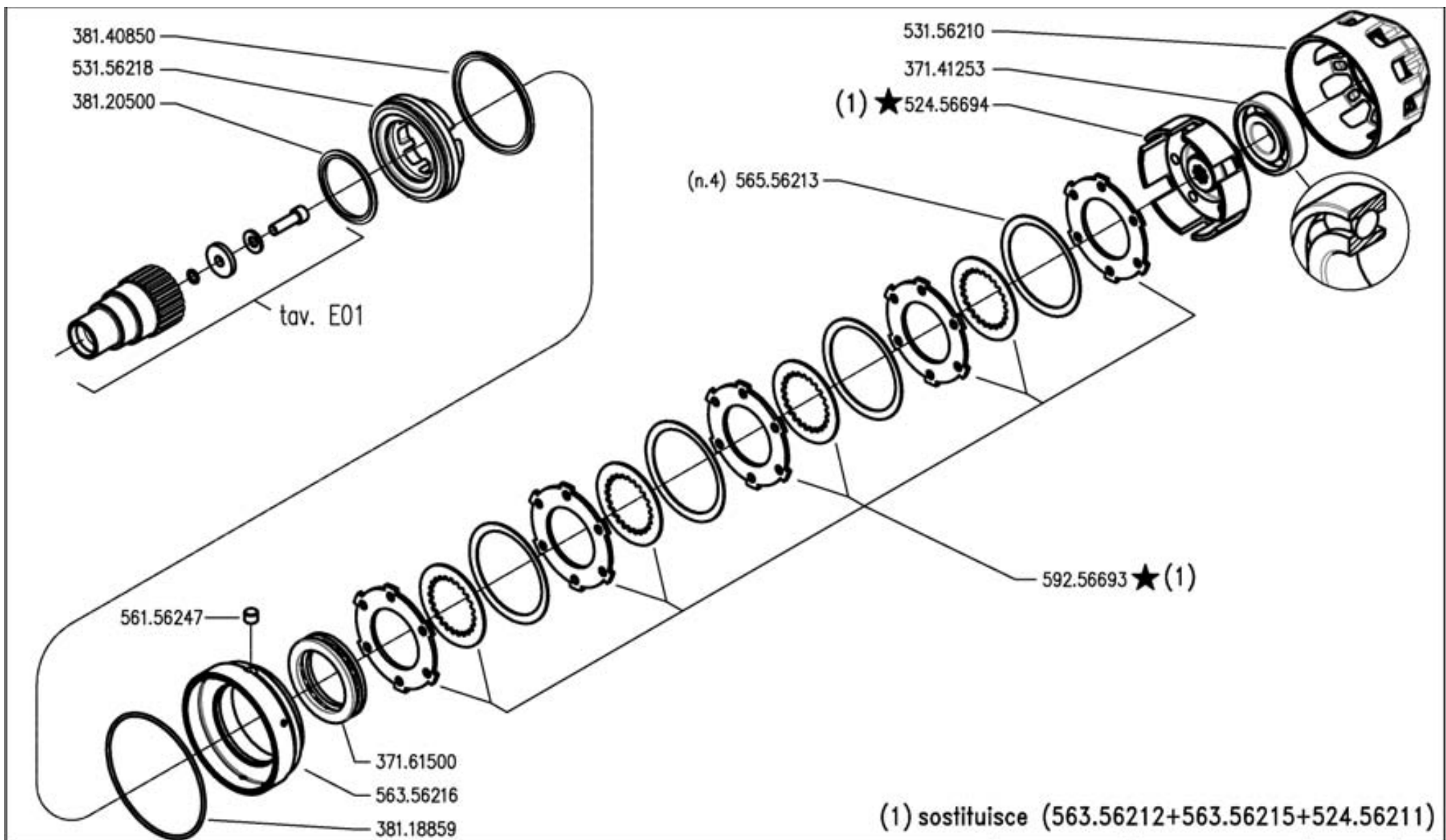
ZILINDER UND POWERSAFE KUPPLUNG

DALLA MACCHINA  
DE LA MAQUINA  
DE LA MAQUINA  
FROM THE MACHINE  
AB DER MASCHINE

N.


Rev.	0
C01	
05/2009	

Pos.	Code	Q.ty	Description	Notes
37141253	37141253	1	BEARING	
37161500	37161500	1	BEARING	
38118859	38118859	1	O-RING	
38120500	38120500	1	RING	
38140850	38140850	1	RING	
52456211	52456211	1	CLUTCH HOUSING	
53156210	53156210	1	SUMP	
53156218	53156218	1	PISTON	
56156247	56156247	1	PIN	
56356212	56356212	1	DISC	
56356215	56356215	1	DISC	
56356216	56356216	1	RING	
56556213	56556213	1	SPRING	



300 serie PS  
PowerSafe®

CILINDRO E FRIZIONE POWERSAFE

CYLINDER AND POWERSAFE CLUTCH

CILINDRO Y EMBRAGUE POWERSAFE

CYLINDER ET EMBRAYAGE POWERSAFE

ZILINDER UND POWERSAFE KÜPPLUNG

DALLA MACCHINA  
DE LA MAQUINA  
DE LA MACHINA  
FROM THE MACHINE  
AB DER MASCHINE

★ N.

852604

C01

04/2010

Rev.  
1

Pos.	Code	Q.ty	Description	Notes
37141253	37141253	1	BEARING	
37161500	37161500	1	BEARING	
38118859	38118859	1	O-RING	
38120500	38120500	1	RING	
38140850	38140850	1	RING	
52456694	52456694	1	CAMPANA FRIZIONE	
53156210	53156210	1	SUMP	
53156218	53156218	1	PISTON	
56156247	56156247	1	PIN	
56356216	56356216	1	RING	
56556213	56556213	1	SPRING	
59256693	59256693	1	9 DISC CLUTCH	

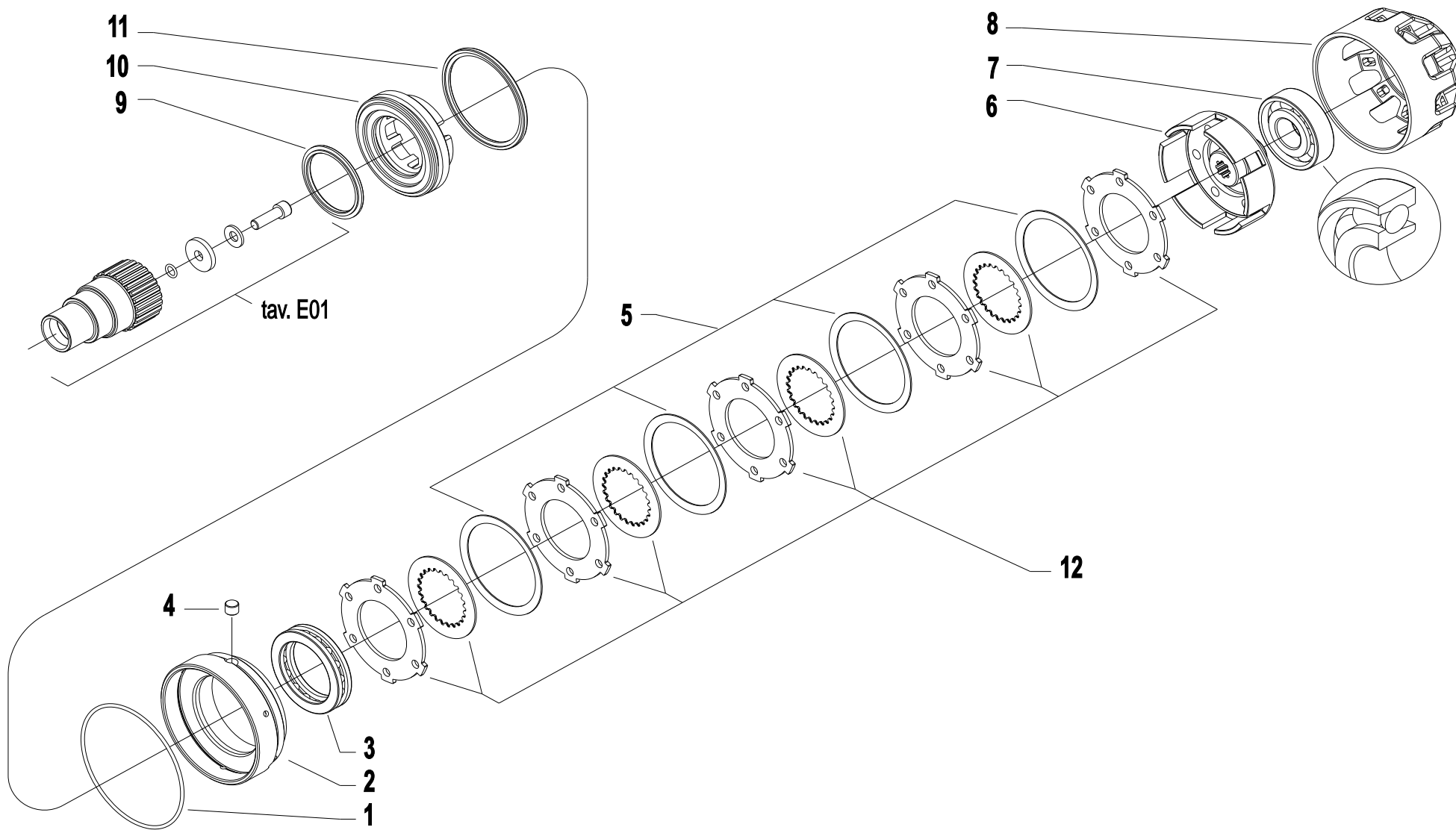
SERIAL  
START  
**852604**

**CYLINDER AND POWERSAFE CLUTCH**

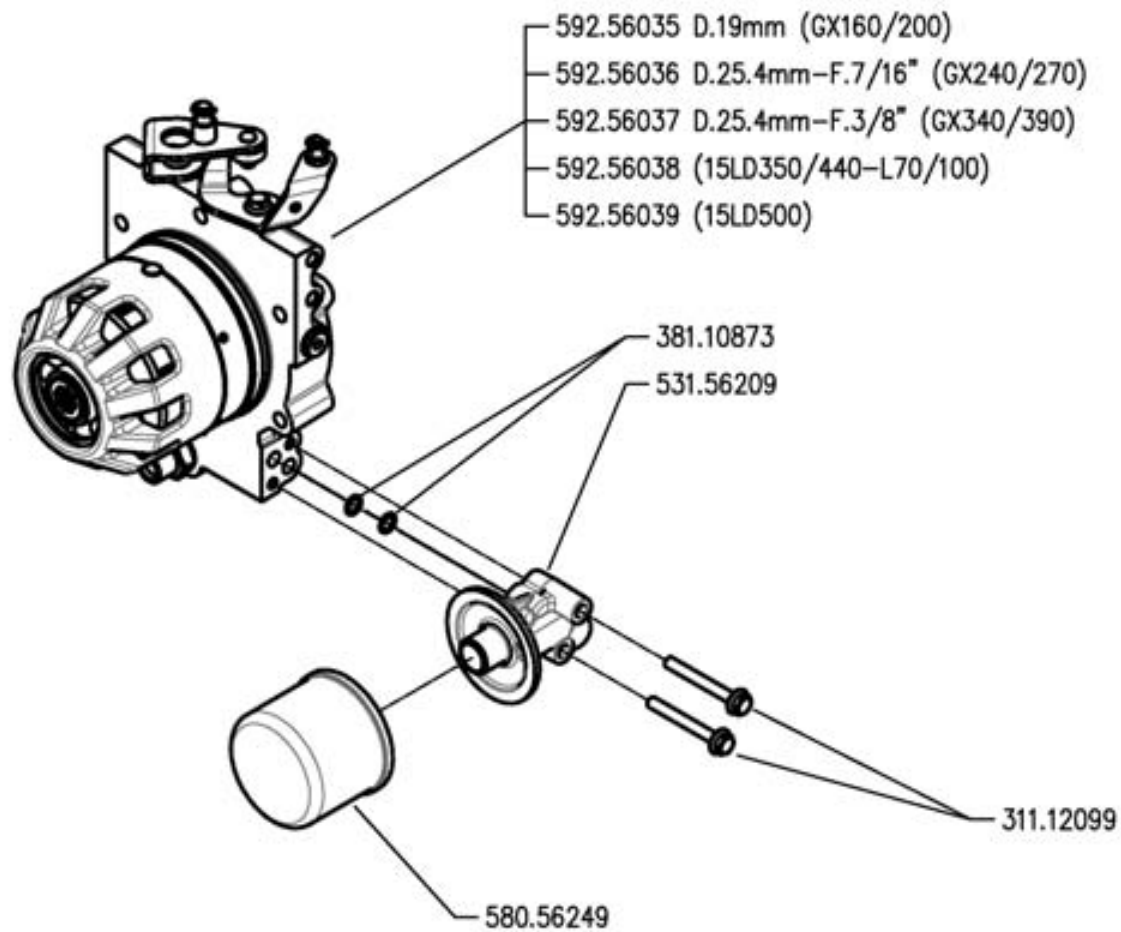
CODE REV  
**C01\_1\_72820**



# CYLINDER AND POWERSAFE CLUTCH



Pos.	Code	Q.ty	Description	Notes
1	38118859	1	O-RING	
2	56356216	1	RING	
3	37161500	1	BEARING	
4	56156247	1	PIN	
5	56556213	1	SPRING	
6	52456694	1	CAMPANA FRIZIONE	Replaces 56356212 + 56356215 + 52456211
7	37141253	1	BEARING	
8	53156210	1	SUMP	
9	38120500	1	RING	
10	53156218	1	PISTON	
11	38140850	1	RING	
12	59256693	1	9 DISC CLUTCH	Replaces 56356212 + 56356215 + 52456211



300 serie PS  
**PowerSafe®**

GRUPPO FILTRO POWERSAFE

POWERSAFE FILTER UNIT

FILTRO POWERSAFE

FILTRE POWERSAFE

POWERSAFE FILTER

DALLA MACCHINA  
 DE LA MAQUINA  
 DE LA MACHINE  
 FROM THE MACHINE  
 AB DER MASCHINE

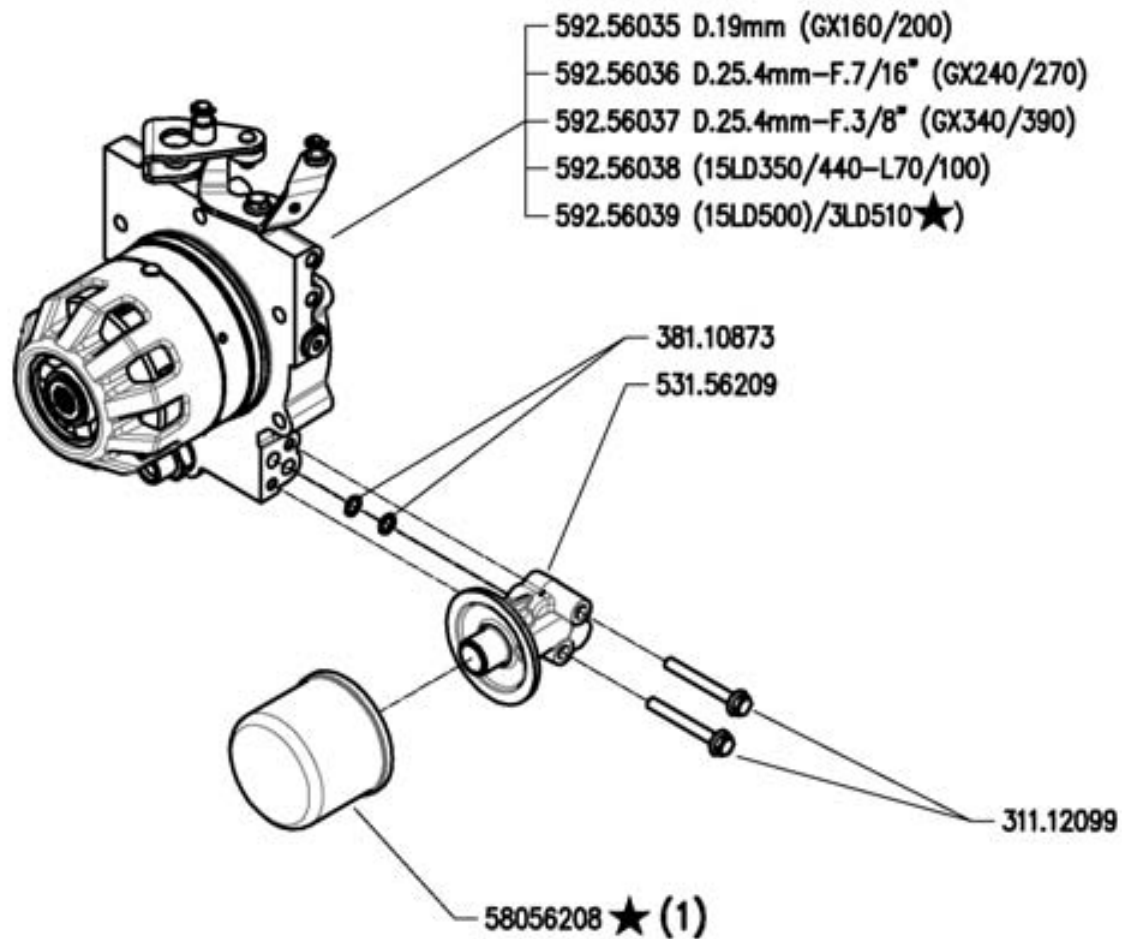
N.

D01 0

05/2009

Rev.

Pos.	Code	Q.ty	Description	Notes
31112099	31112099	1	VITE TE C/F M6X50 DIN 6921 8G	
38110873	38110873	1	O-RING 108 (8,73X1,78)	
53156209	53156209	1	CONNECTION	
58056249	58056249	1	FILTER	
59256035	59256035	1	POWERSAFE CLUTCH ASSY Q19	
59256036	59256036	1	POWERSAFE CLUTCH	
59256037	59256037	1	GR.FRIZ.POWERSAFE Q25.4 (3/8)	
59256038	59256038	1	POWERSAFE CLUTCH	
59256039	59256039	1	POWERSAFE CLUTCH ASSY	



(1) sostituisce 580.56249

**FERRARI**

300 serie PS  
 PowerSafe®

GRUPPO E FILTRO POWERSAFE

POWERSAFE FILTER AND UNIT

FILTRO POWERSAFE

FILTRE POWERSAFE

POWERSAFE FILTER

DALLA MACCHINA  
 DE LA MACCHINA  
 DE LA MACCHINA  
 FROM THE MACHINE  
 AB DER MASCHINE

★ N.

AGGIORNAMENTO  
 APLAZAMIENTO  
 MISE A JOUR  
 REVISION  
 ANPASSUNG

D01

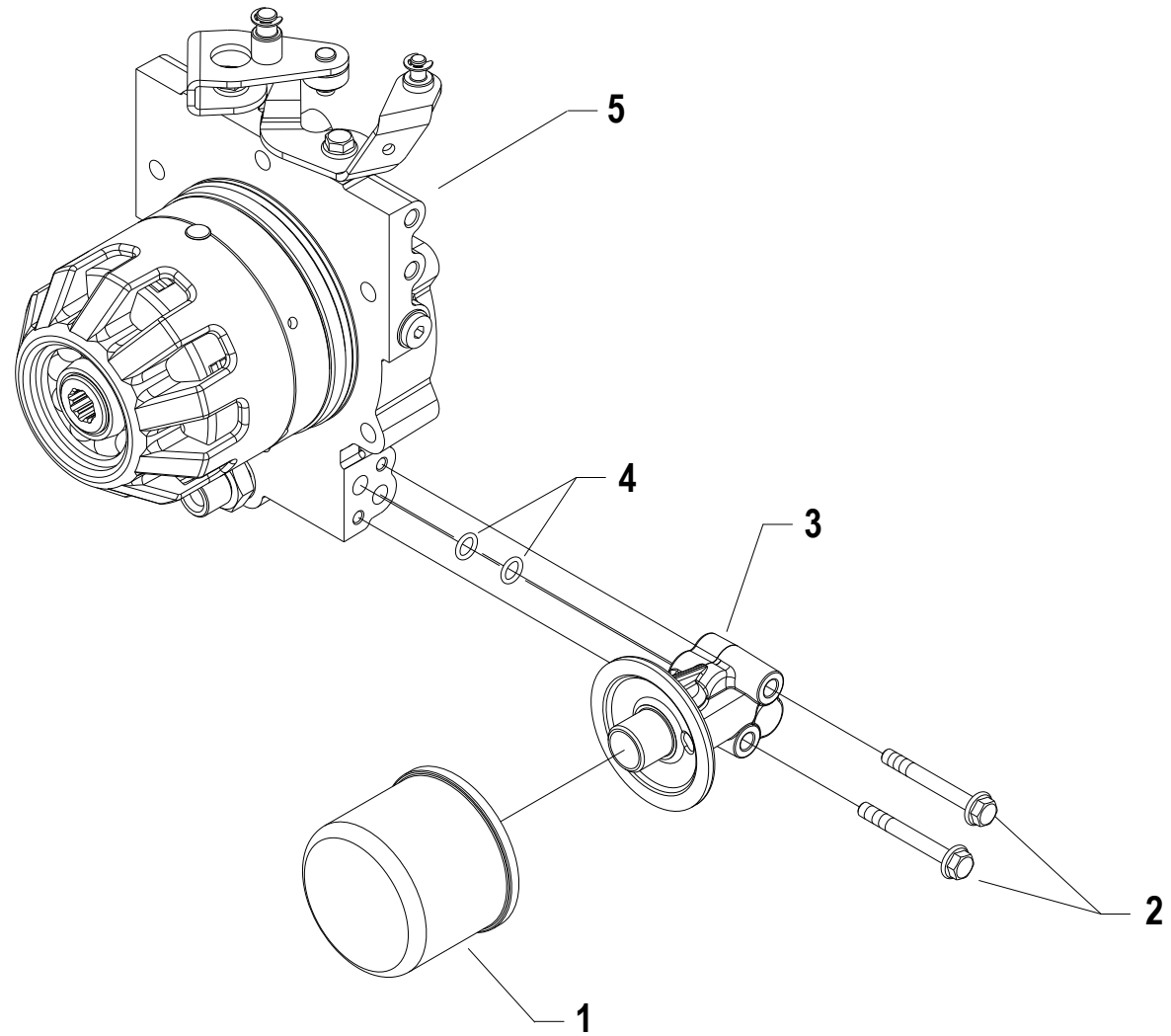
11/2010

Rev.

1

Pos.	Code	Q.ty	Description	Notes
31112099	31112099	1	VITE TE C/F M6X50 DIN 6921 8G	
38110873	38110873	1	O-RING 108 (8,73X1,78)	
53156209	53156209	1	CONNECTION	
58056208	58056208	1	FILTER	
59256035	59256035	1	POWERSAFE CLUTCH ASSY Q19	
59256036	59256036	1	POWERSAFE CLUTCH	
59256037	59256037	1	GR.FRIZ.POWERSAFE Q25.4 (3/8)	
59256038	59256038	1	POWERSAFE CLUTCH	
59256039	59256039	1	POWERSAFE CLUTCH ASSY	

# POWERSAFE FILTER UNIT

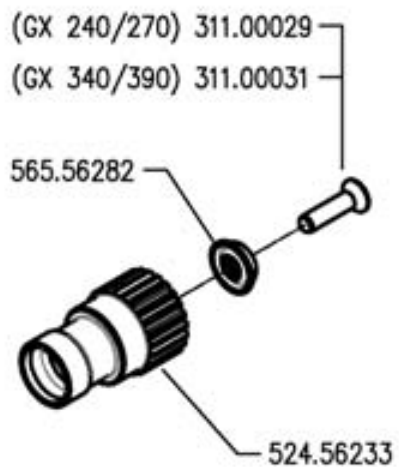


Pos.	Code	Q.ty	Description	Notes
1	58056208	1	FILTER	
2	31112099	1	VITE TE C/F M6X50 DIN 6921 8G	
3	53156209	1	CONNECTION	
3	53156659	1	CONNECTION	Powersafe EasyDrive
4	38110873	1	O-RING 108 (8,73X1,78)	
5	59256035	1	POWERSAFE CLUTCH ASSY Q19	For motors GX160/200
5	59256036	1	POWERSAFE CLUTCH	For motors GX240/270-EX21
5	59256037	1	GR.FRIZ.POWERSAFE Q25.4 (3/8)	For motors GX340/390
5	59256038	1	POWERSAFE CLUTCH	For motors 15LD350/440-L70/100
5	59256039	1	POWERSAFE CLUTCH ASSY	For motors 15LD500/3LD510

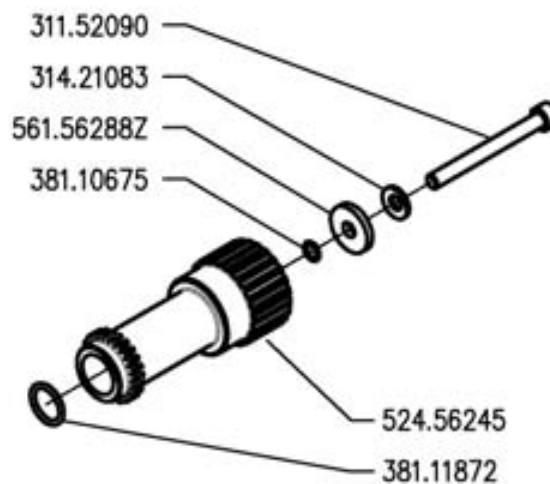




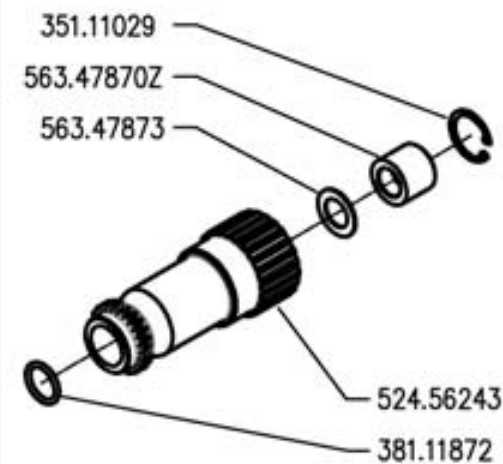
GX 160-200



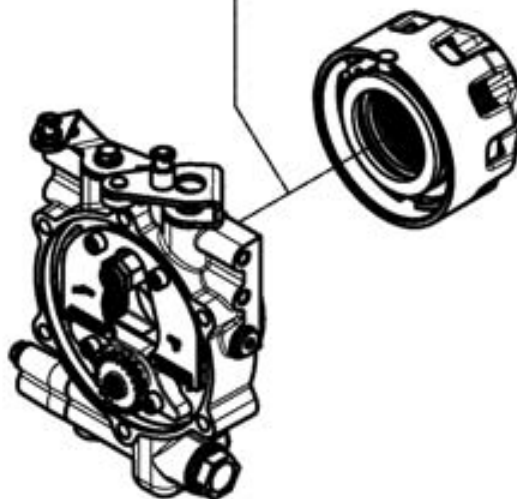
GX 240-270-340-390



15LD350-440 - L70-100



15LD500



300 serie PS  
PowerSafe®

MOZZI FRIZIONE POWERSAFE

POWERSAFE CLUTCH HUBS  
CUBOS EMBRAGUE POWERSAFE

MOYEURS EMBRAYAGE POWERSAFE  
NABEN POWERSAFE KUPPLUNG

DALLA MACCHINA  
DE LA MAQUINA  
DE LA MACHINE  
FROM THE MACHINE  
AB DER MASCHINE

N.


E01 0

05/2009

Rev. 0

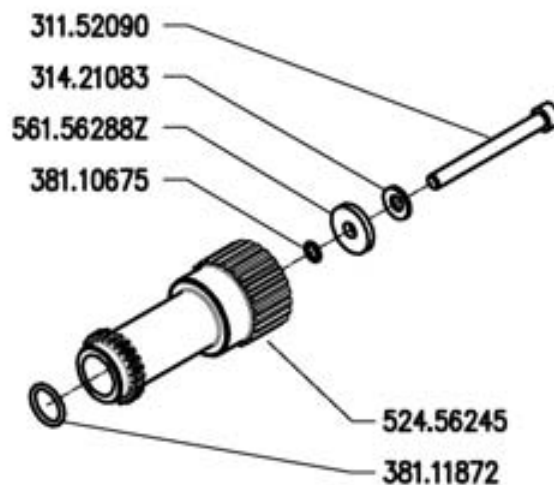
Pos.	Code	Q.ty	Description	Notes
31100023	31100023	1	SCREW 5/16-24	
31100029	31100029	1	SCREW TSVEI 7/16-20X1 1/2 UNF8G	
31100031	31100031	1	VITE TSVEI 3/8-24X1 1/2 UNF 8G	
31152090	31152090	1	SCREW TCEI M8x80 UNI5931	
31421083	31421083	1	WASHER	
35111029	35111029	1	SEEGER RING	
38110675	38110675	1	O-RING 106 (6.75X1.78)	
38111872	38111872	1	O-RING 3075 (18,72x2,62)	
52456233	52456233	1	HUB	
52456234	52456234	1	HUB	
52456243	52456243	1	HUB	
52456245	52456245	1	HUB	
56347873	56347873	1	WASHER	
56556282	56556282	1	WASHER D.25,4	
56156288	56156288Z	1	SPECIAL WASHER SP.4	
56347870	56347870Z	1	SPECIAL NUT	



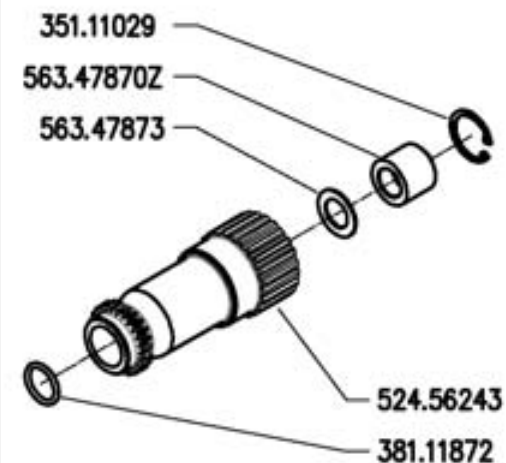
GX 160-200



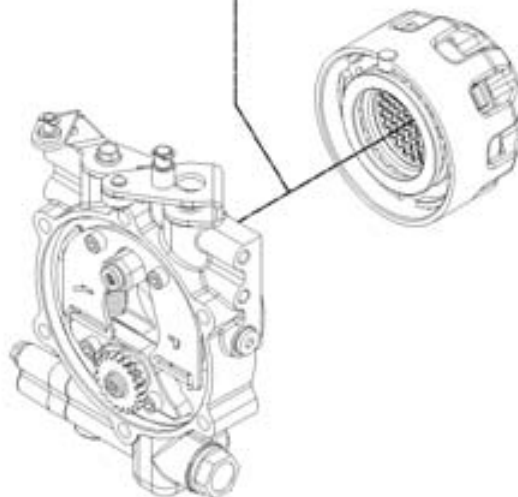
GX 240-270-340-390



15LD350-440 - L70-100



15LD500-3LD510 ★



300 serie PS  
PowerSafe®

MOZZI FRIZIONE POWERSAFE

POWERSAFE CLUTCH HUBS  
CUBOS EMBRAGUE POWERSAFE

MOYEURS EMBRAYAGE POWERSAFE  
NABEN POWERSAFE KUPPLUNG

DALLA MACCHINA  
DE LA MACCHINA  
DE LA MACCHINA  
FROM THE MACHINE  
AB DER MASCHINE



AGGIORNAMENTO  
APLAZAMIENTO  
MISE A JOUR  
REVISION  
ANPASSUNG

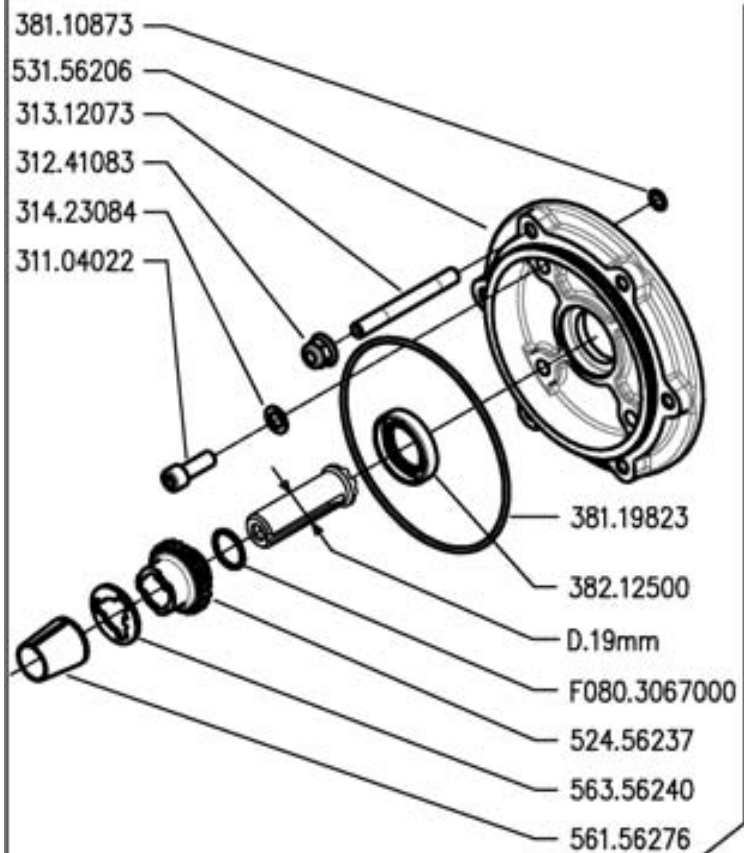
E01

11/2010

Rev.

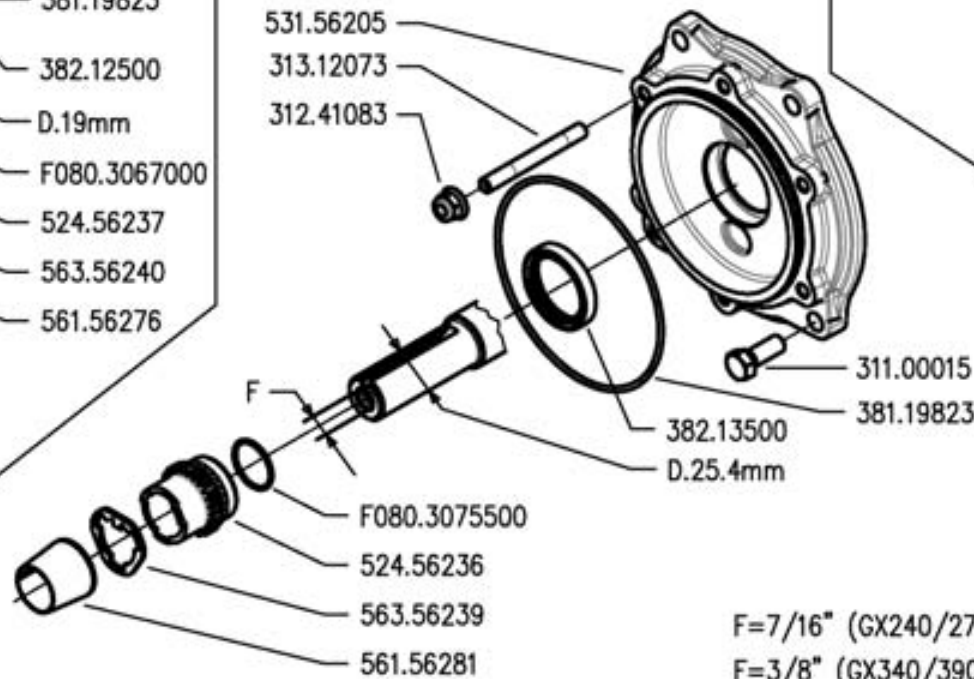
1

Pos.	Code	Q.ty	Description	Notes
31100023	31100023	1	SCREW 5/16-24	
31100029	31100029	1	SCREW TSVEI 7/16-20X1 1/2 UNF8G	
31100031	31100031	1	VITE TSVEI 3/8-24X1 1/2 UNF 8G	
31152090	31152090	1	SCREW TCEI M8x80 UNI5931	
31421083	31421083	1	WASHER	
35111029	35111029	1	SEEGER RING	
38110675	38110675	1	O-RING 106 (6.75X1.78)	
38111872	38111872	1	O-RING 3075 (18,72x2,62)	
52456233	52456233	1	HUB	
52456234	52456234	1	HUB	
52456243	52456243	1	HUB	
52456245	52456245	1	HUB	
56347873	56347873	1	WASHER	
56556282	56556282	1	WASHER D.25,4	
56156288	56156288Z	1	SPECIAL WASHER SP.4	
56347870	56347870Z	1	SPECIAL NUT	

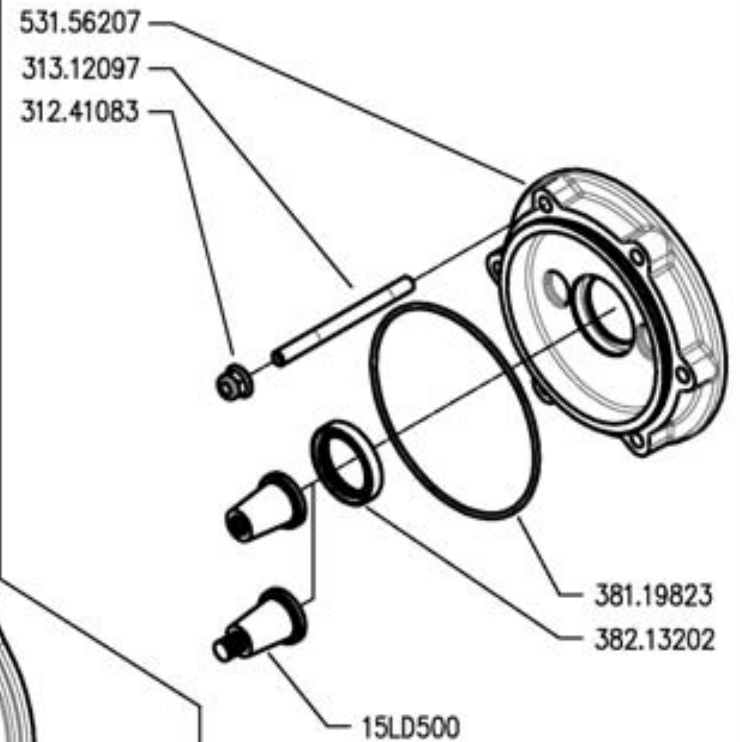


GX 160-200

GX 240-270-340-390



F=7/16" (GX240/270)  
F=3/8" (GX340/390)



15LD350-440-500  
L70-100



300 serie PS  
PowerSafe®

ENGINE FLANGES  
BRIDAS MOTOR

FLANGIE MOTORE

BRIDES MOTEUR  
MOTOR FLANSCH

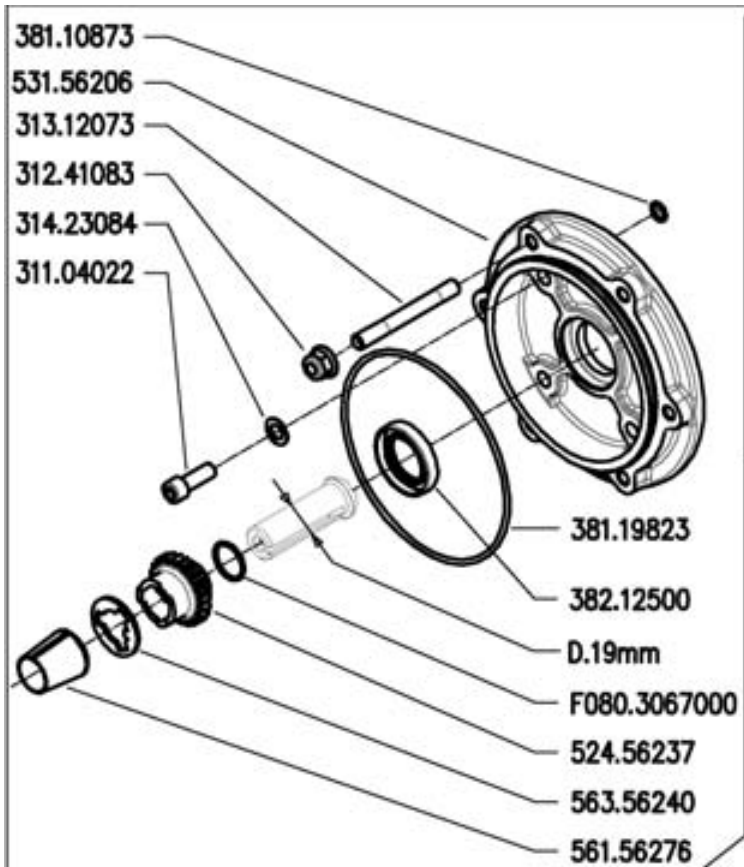
DALLA MACCHINA  
DE LA MAQUINA  
DE LA MACHINA  
FROM THE MACHINE  
AB DER MASCHINE

N.

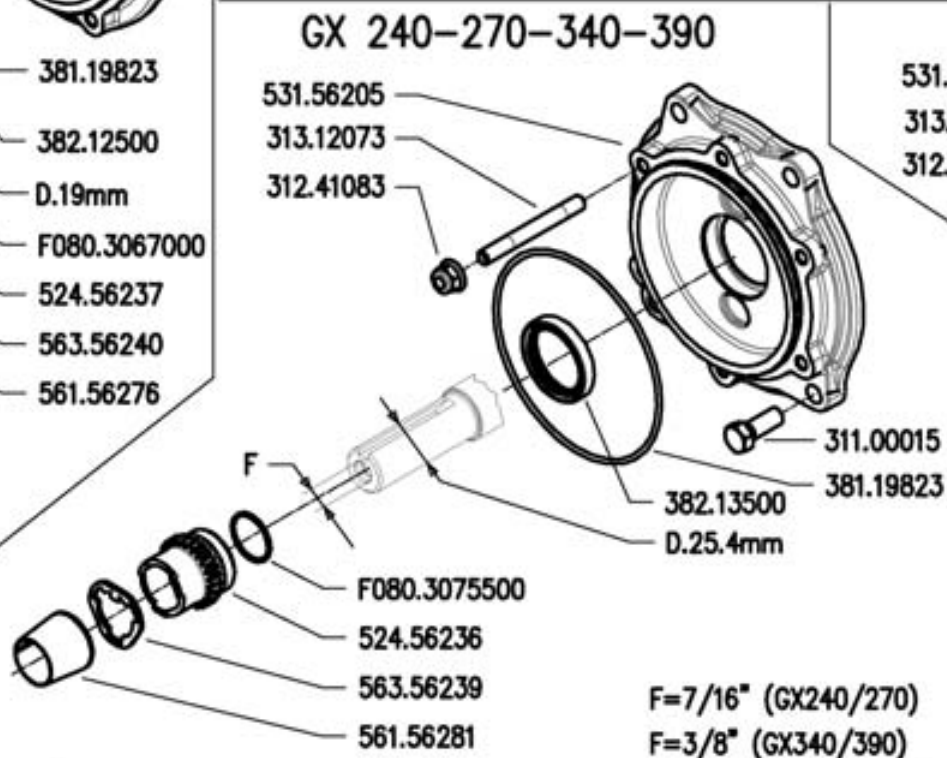
F01 0

05/2009

Pos.	Code	Q.ty	Description	Notes
31100015	31100015	1	SCREW TE 3/8X1	
31104022	31104022	1	VITE TCEI 5/16X7/8 UNF 12K	
31241083	31241083	1	SELFLOCK NUT M8	
31312073	31312073	1	STUD BOLT	
31312097	31312097	1	STUD BOLT	
31423084	31423084	1	SPRING WASHER 8,4	
38110873	38110873	1	O-RING 108 (8,73X1,78)	
38119823	38119823	1	O-RING	
38212500	38212500	1	OIL SEAL 25X40X7	
38213202	38213202	1	OIL SEAL 32X45X7	
38213500	38213500	1	OIL SEAL 35X47X7	
52456236	52456236	1	PUMP GEAR	
52456237	52456237	1	PUMP GEAR	
53156205	53156205	1	ENGINE FLANGE	
53156206	53156206	1	ENGINE FLANGE	
53156207	53156207	1	ENGINE FLANGE	
56156276	56156276	1	SLEEVE	
56156281	56156281	1	CENTRING BUSH	
56356239	56356239	1	TRASCINATORE Q25	
56356240	56356240	1	TRASCINATORE Q19	
F0803067	F0803067000	1	O-RING 2075 (18,77X1,78)	
F0803075	F0803075500	1	O-RING 2100 (25,12X1,78)	



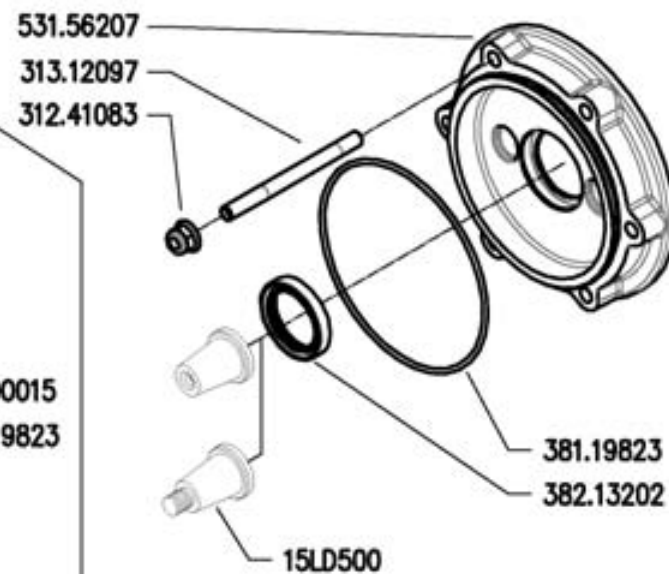
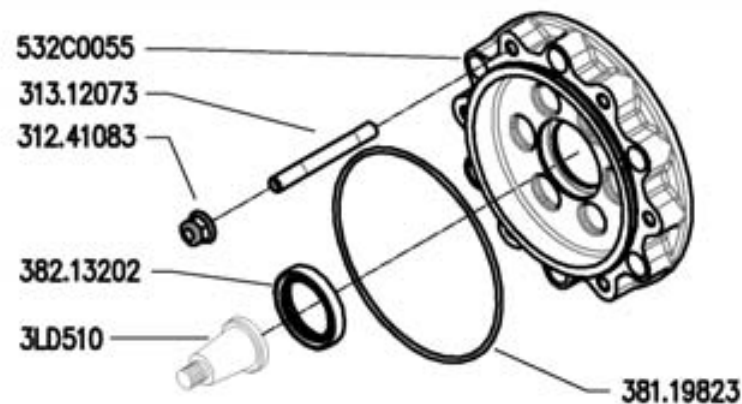
GX 160-200



GX 240-270-340-390

F=7/16" (GX240/270)  
F=3/8" (GX340/390)

★ 3LD510



15LD350-440-500  
L70-100



300 serie PS  
PowerSafe®

ENGINE FLANGES  
BRIDAS MOTOR

FLANGIE MOTORE

BRIDES MOTEUR  
MOTOR FLANSCH

DALLA MACCHINA  
DE LA MAQUINA  
DE LA MAQUINA  
FROM THE MACHINE  
AB DER MASCHINE

★ N.

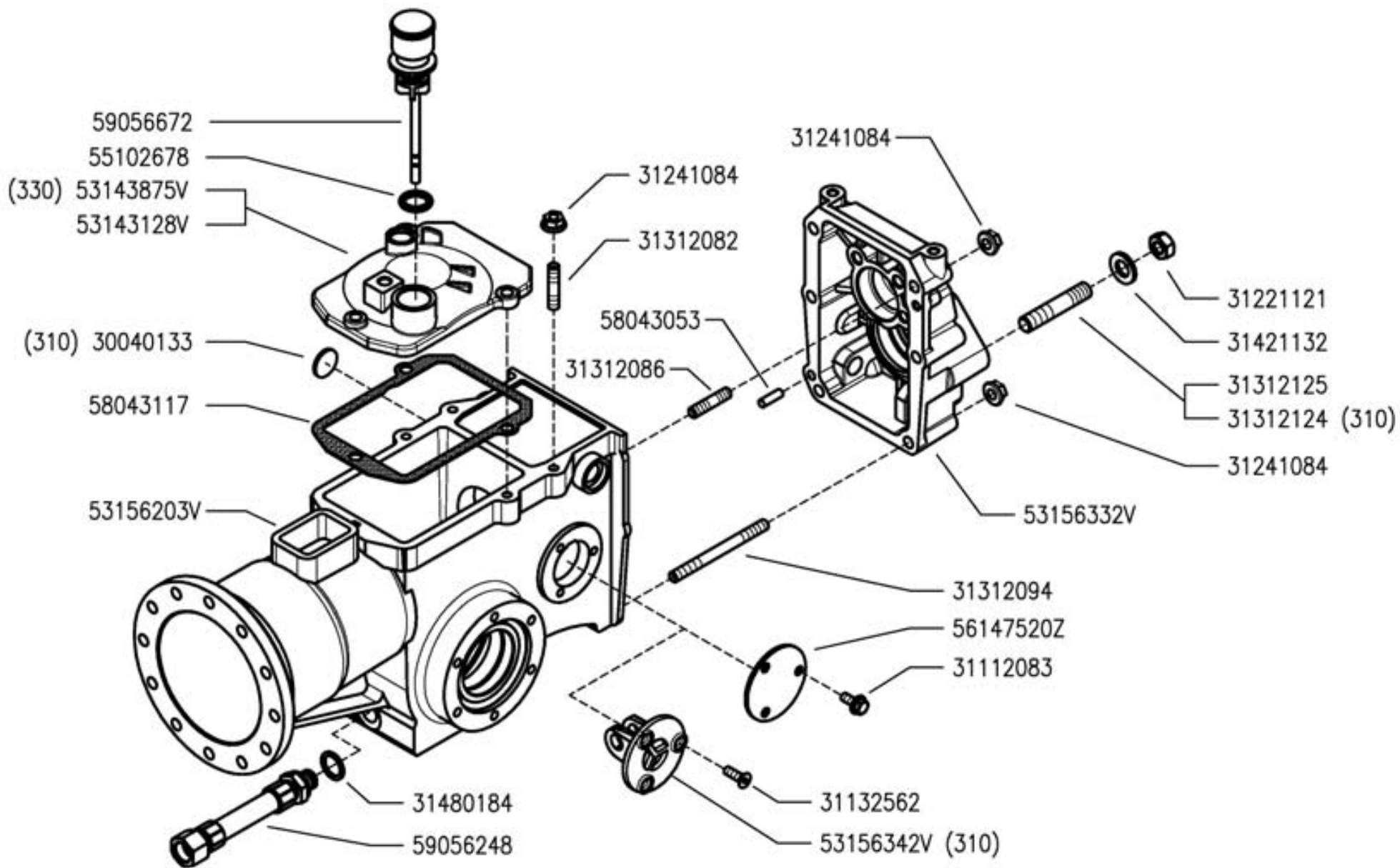
AGGIORNAMENTO  
APLAZAMIENTO  
MISE A JOUR  
REVISION  
ANPASSUNG

Rev. F01 1  
11/2010

DITE.BCS - Scala 1:6

Pos.	Code	Q.ty	Description	Notes
31100015	31100015	1	SCREW TE 3/8X1	
31104022	31104022	1	VITE TCEI 5/16X7/8 UNF 12K	
31241083	31241083	1	SELFLOCK NUT M8	
31312073	31312073	1	STUD BOLT	
31312097	31312097	1	STUD BOLT	
31423084	31423084	1	SPRING WASHER 8,4	
38110873	38110873	1	O-RING 108 (8,73X1,78)	
38119823	38119823	1	O-RING	
38212500	38212500	1	OIL SEAL 25X40X7	
38213202	38213202	1	OIL SEAL 32X45X7	
38213500	38213500	1	OIL SEAL 35X47X7	
52456236	52456236	1	PUMP GEAR	
52456237	52456237	1	PUMP GEAR	
53156205	53156205	1	ENGINE FLANGE	
53156206	53156206	1	ENGINE FLANGE	
53156207	53156207	1	ENGINE FLANGE	
532C0055	532C0055	1	FLANGIA MOTORE ACT	
56156276	56156276	1	SLEEVE	
56156281	56156281	1	CENTRING BUSH	
56356239	56356239	1	TRASCINATORE Q25	
56356240	56356240	1	TRASCINATORE Q19	
F0803067	F0803067000	1	O-RING 2075 (18,77X1,78)	
F0803075	F0803075500	1	O-RING 2100 (25,12X1,78)	





**FERRARI**

300 serie PS  
PowerSafe®

GEARBOX  
CAJA DE CAMBIO

SCATOLA CAMBIO  
(310-320-330)

BOITE DE VITESSES  
WECHSELGETRIEBE

DALLA MACCHINA  
DE LA MAQUINA  
DE LA MAQUINA  
FROM THE MACHINE  
AB DER MASCHINE

N.

G01 0

05/2009

Rev.

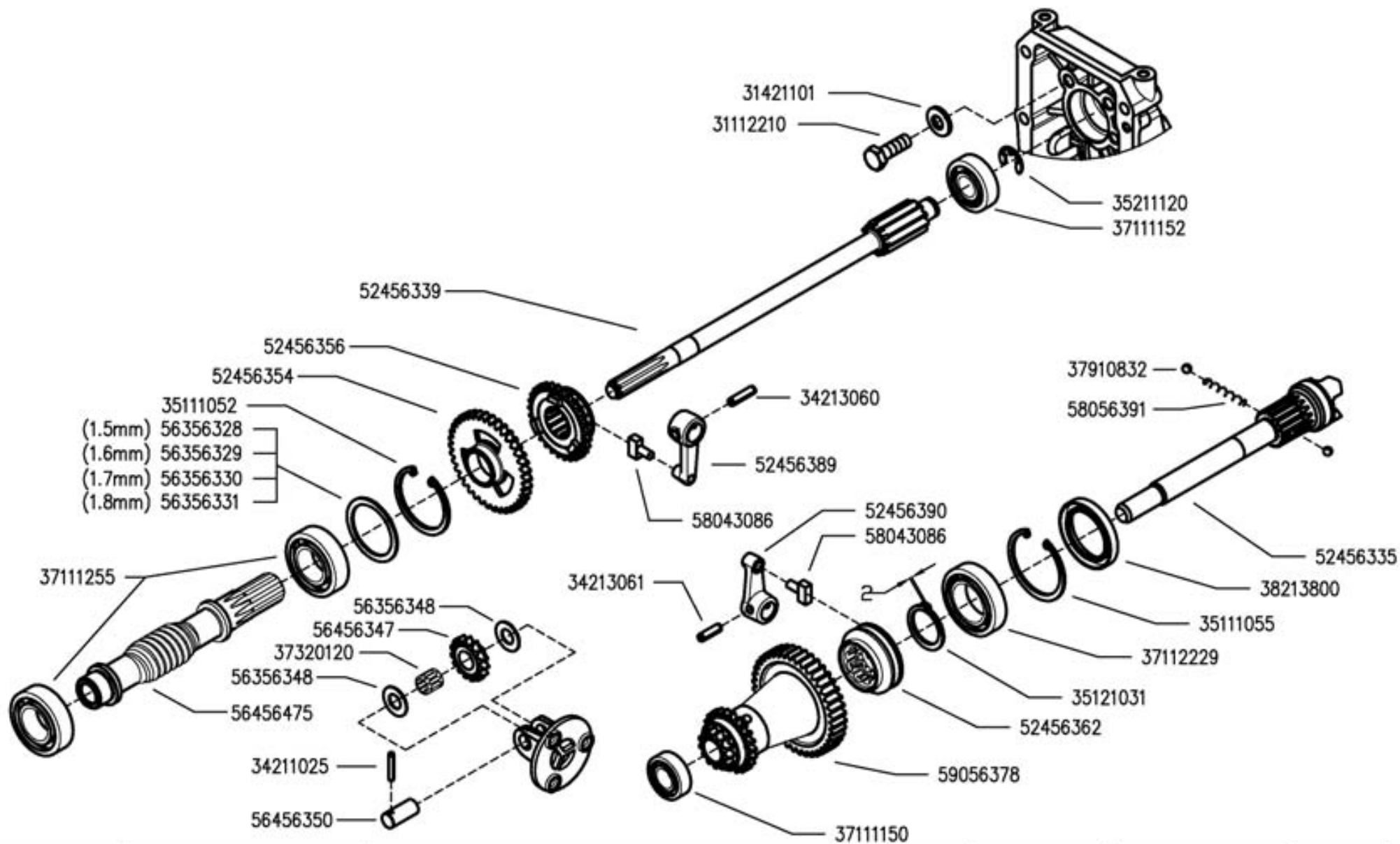
Pos.	Code	Q.ty	Description	Notes
30040133	30040133	1	PLUG 22 DIN 470	
31112083	31112083	1	SCREW M6X12	
31132562	31132562	1	SCREW TSVEI M6X16 UNI 5933	
31221121	31221121	1	NUT M12X1,25	
31241084	31241084	1	SELFLOCK NUT M8 6S	
31312082	31312082	1	STUD BOLT M8X38X14X20	
31312086	31312086	1	STUD BOLT M8X56X20X14	
31312094	31312094	1	STUD BOLT M8X68X14X36	
31312124	31312124	1	STUD BOLT	
31312125	31312125	1	STUD BOLT	
31421132	31421132	1	WASHER 13X24X2,8	
31480184	31480184	1	COPPER WASHER 16,7x22/1,5	
55102678	55102678	1	RUBBER RING	
58043053	58043053	1	CYLINDRICAL PLUG	
58043117	58043117	1	COVER GASKET	
59056248	59056248	1	TUBO ASPIRAZIONE CORTO C.TO	
59056672	59056672	1	TAPPO C/ASTA LIVELLO OLIO ED	
53143128	53143128V	1	COVER	
53143875	53143875V	1	GEARBOX HOUSING COVER	
53156203	53156203V	1	BOX CASING	
53156332	53156332V	1	REAR COVER	
53156342	53156342V	1	GEAR SUPPORT	
56147520	56147520Z	1	COVER	

SERIAL

**GEARBOX**

CODE REV

**G01\_0\_66844**



300 serie PS  
PowerSafe®

GEARS  
ENGRANAJES

INGRANAGGI CAMBIO  
(310)

ENGRANAGES  
ZÄHRÄDER

DALLA MACCHINA  
DE LA MAQUINA  
DE LA MAQUINA  
FROM THE MACHINE  
AB DER MASCHINE

N.

H01 0

05/2009

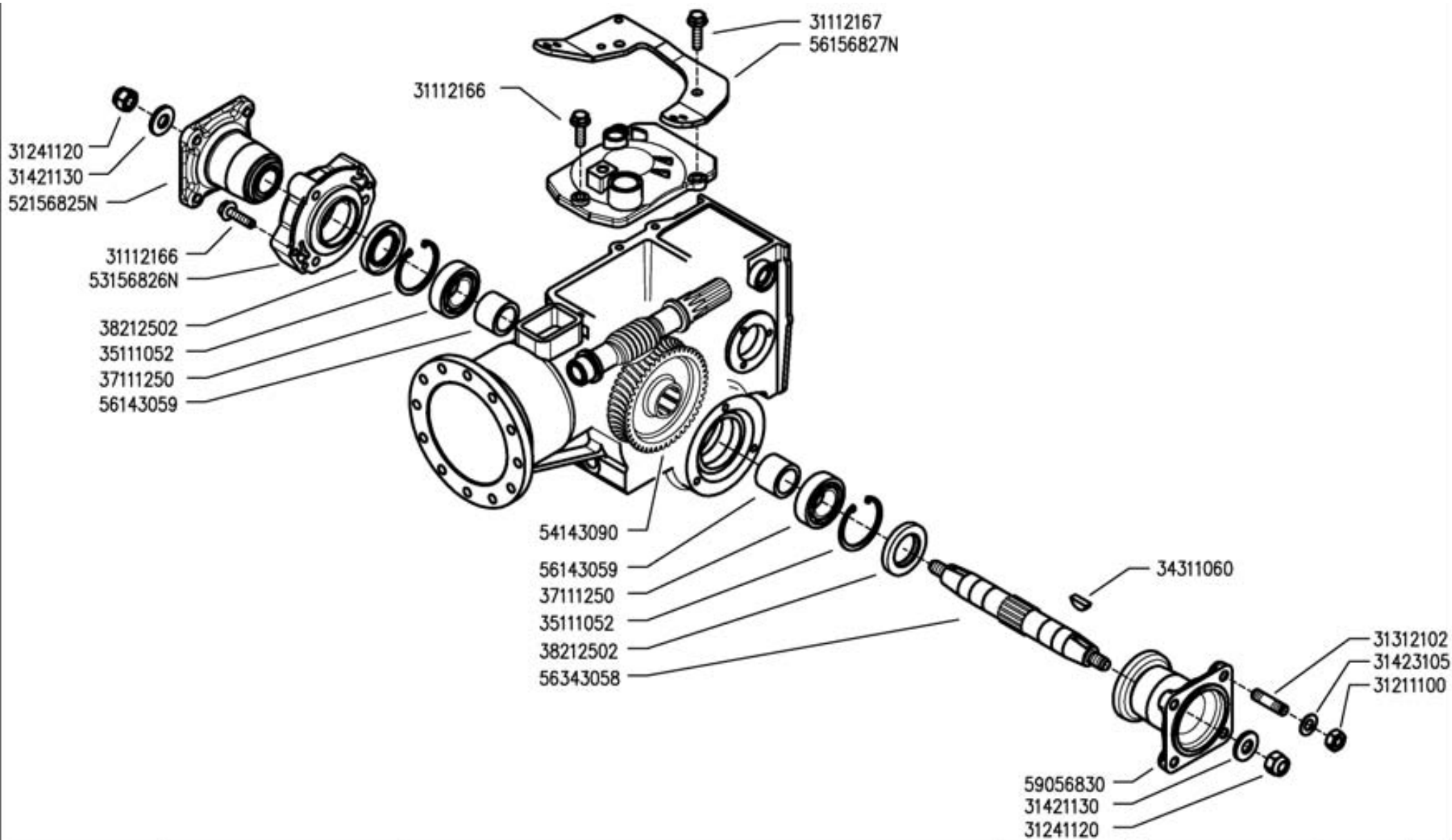
Pos.	Code	Q.ty	Description	Notes
31112210	31112210	1	SCREW TE M10X20 UNI 5739	
31421101	31421101	1	WASHER	
34211025	34211025	1	ROLL PIN	
34213060	34213060	1	ROLL PIN	
34213061	34213061	1	ROLL PIN	
35111052	35111052	1	SEEGER RING I 52 DIN 472	
35111055	35111055	1	SEEGER RING I 55 DIN 472	
35121031	35121031	1	SEEGER RING E 30 UNI 7436	
35211120	35211120	1	SEEGER RING E 12 UNI 7434	
37111150	37111150	1	BEARING	
37111152	37111152	1	BEARING	
37111255	37111255	1	BEARING	
37112229	37112229	1	BEARING	
37320120	37320120	1	ROLLER CAGE 12X15/10	
37910832	37910832	1	BALL 1/4	
38213800	38213800	1	OIL SEAL 38X55X7	
52456335	52456335	1	PTO SHAFT	
52456339	52456339	1	SHAFT	
52456354	52456354	1	GEAR	
52456356	52456356	1	SLIDER	
52456362	52456362	1	COUPLING	
52456389	52456389	1	LEVER	
52456390	52456390	1	LEVER	
56356328	56356328	1	ADJUSTING RING SP=1,5	
56356329	56356329	1	ADJUSTING RING SP=1,6	
56356330	56356330	1	ADJUSTING RING SP=1,7	
56356331	56356331	1	ADJUSTING RING SP=1,8	
56356348	56356348	1	ADJUSTING RING	
56456347	56456347	1	GEAR	
56456350	56456350	1	GEAR PIN	
56456475	56456475	1	SCREW	
58043086	58043086	1	SHOE	
58056391	58056391	1	SPRING	
59056378	59056378	1	TRANSMISSION SHAFT	

SERIAL

## GEARS

CODE REV

H01\_0\_66868



300 serie PS  
PowerSafe®

WHEELS AXLE  
EJE RUEDAS

ASSE RUOTE  
(310-320)

ESSIEUS ROUES  
RÄDACHSE

DALLA MACCHINA  
DE LA MAQUINA  
DE LA MAQUINA  
FROM THE MACHINE  
AB DER MASCHINE

N.

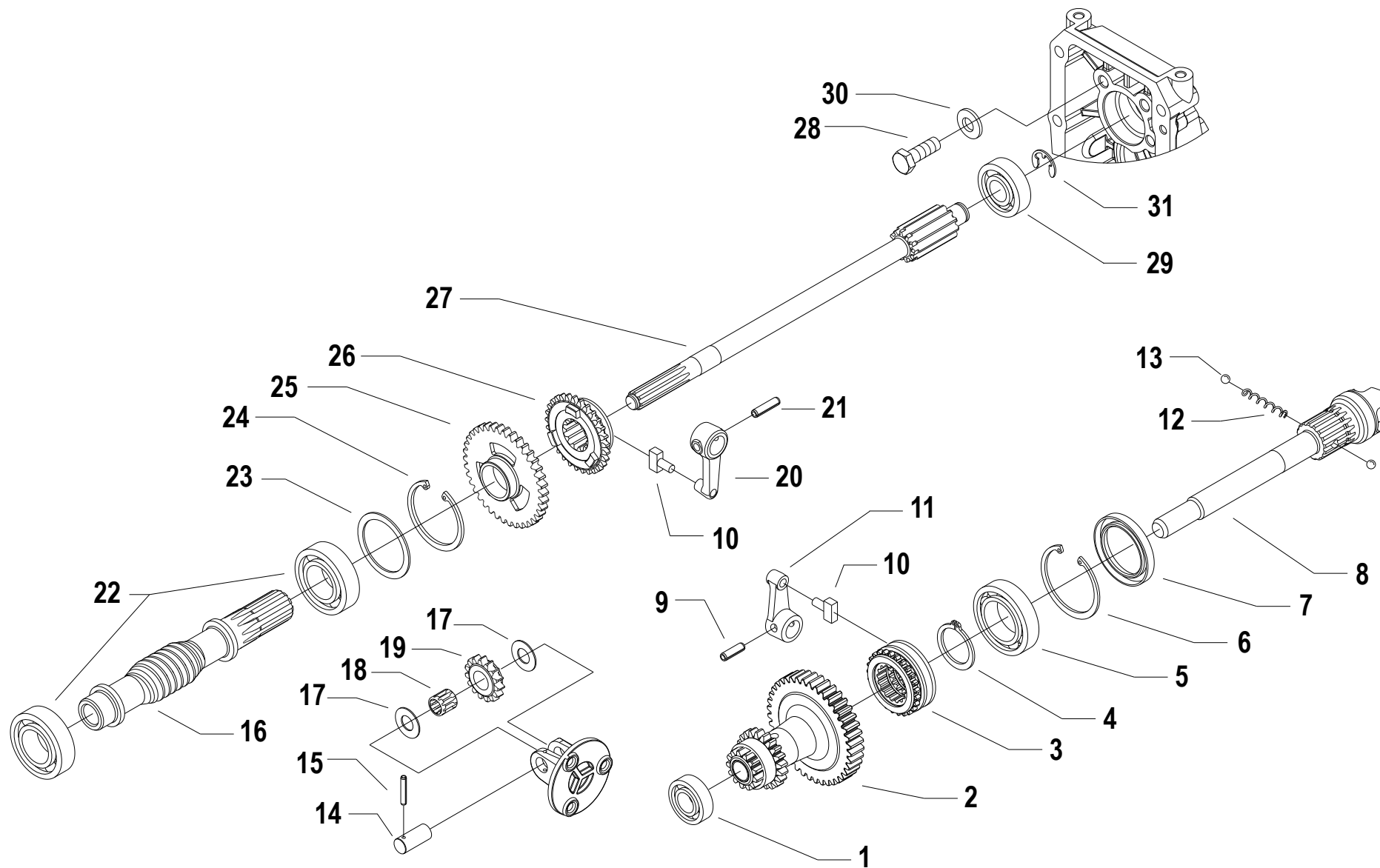
I01

05/2009

Rev.

0

Pos.	Code	Q.ty	Description	Notes
31112166	31112166	1	SCREW TE C/F M8X25 DIN 6921 8G	
31112167	31112167	1	SCREW TE C/F M8X30 DIN 6921 8G	
31211100	31211100	1	NUT M10	
31241120	31241120	1	SELFLOCK NUT M12	
31312102	31312102	1	STUD BOLT M10X40X24X12	
31421130	31421130	1	WASHER	
31423105	31423105	1	SPRING WASHER 10,5	
34311060	34311060	1	KEY 6X10 UNI 6606	
35111052	35111052	1	SEEGER RING I 52 DIN 472	
37111250	37111250	1	BEARING	
38212502	38212502	1	OIL SEAL 25X52X7	
54143090	54143090	1	CROWN WHEEL	
56143059	56143059	1	SPACER	
56343058	56343058	1	AXLE SHAFT	
59056830	59056830	1	WHEEL HUB	
52156825	52156825N	1	WHEEL HUB	
53156826	53156826N	1	FLANGE	
56156827	56156827N	1	STOP	



Pos.	Code	Q.ty	Description	Notes
1	37111150	1	BEARING	
2	59056395	1	ALBERO CAMBIO COMPLETO H	Replaces 59056378 + 52456362
3	52456706	1	PTO COUPLING	Replaces 59056378 + 52456362
4	35121031	1	SEEGER RING E 30 UNI 7436	
5	37112229	1	BEARING	
6	35111055	1	SEEGER RING I 55 DIN 472	
7	38213800	1	OIL SEAL 38X55X7	
8	52456335	1	PTO SHAFT	
9	34213061	1	ROLL PIN	
10	58043086	1	SHOE	
11	52456390	1	LEVER	
12	58056391	1	SPRING	
13	37910832	1	BALL 1/4	
14	56456350	1	GEAR PIN	
15	34211025	1	ROLL PIN	
16	56456475	1	SCREW	
17	56356348	1	ADJUSTING RING	
18	37320120	1	ROLLER CAGE 12X15/10	
19	56456347	1	GEAR	
20	52456389	1	LEVER	
21	34213060	1	ROLL PIN	
22	37111255	1	BEARING	
23	56356328	1	ADJUSTING RING SP=1,5	
23	56356329	1	ADJUSTING RING SP=1,6	
23	56356330	1	ADJUSTING RING SP=1,7	
23	56356331	1	ADJUSTING RING SP=1,8	
24	35111052	1	SEEGER RING I 52 DIN 472	
25	52456354	1	GEAR	
26	52456356	1	SLIDER	
27	52456339	1	SHAFT	
28	31112210	1	SCREW TE M10X20 UNI 5739	
29	37111152	1	BEARING	
30	31421101	1	WASHER	
31	35211120	1	SEEGER RING E 12 UNI 7434	

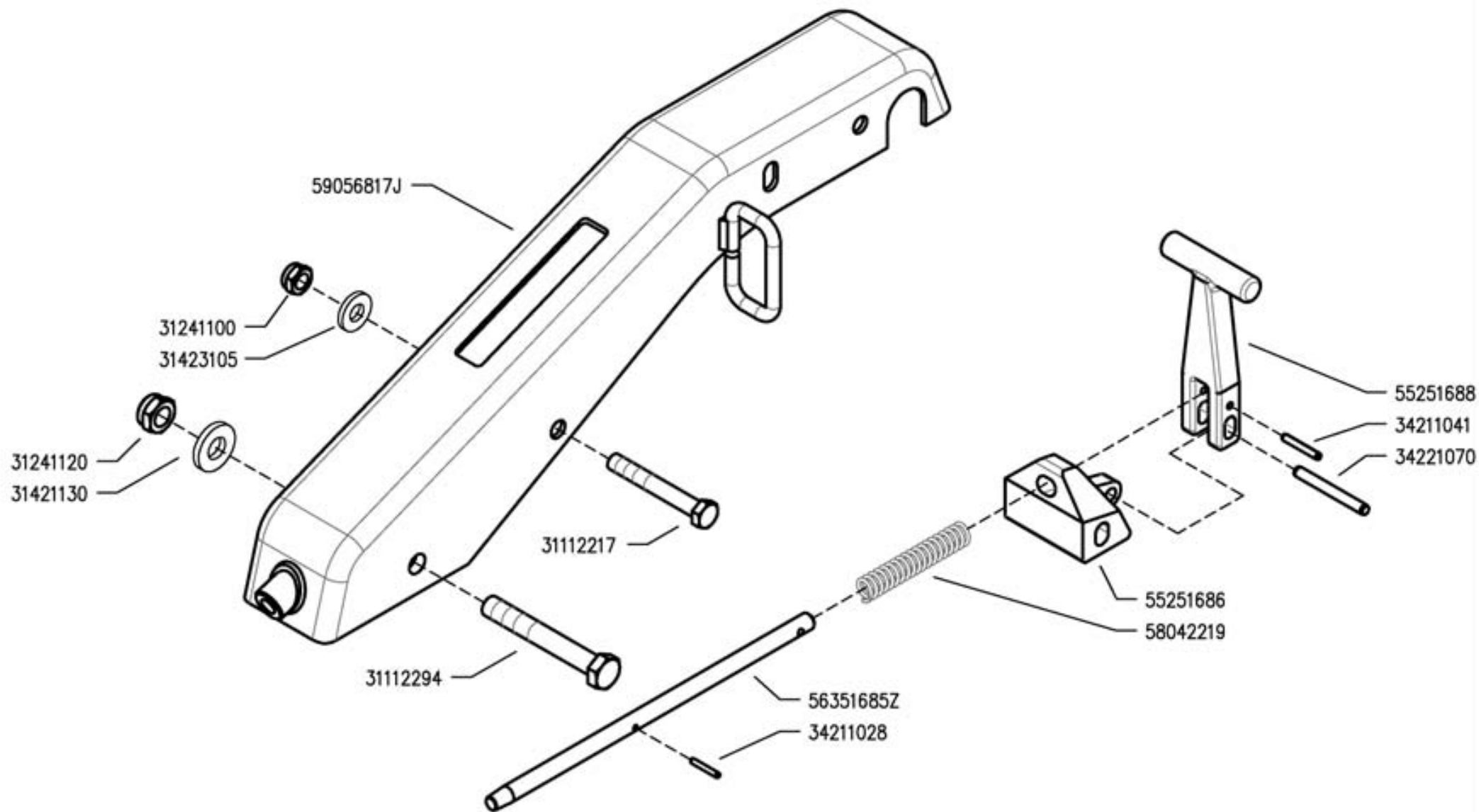
SERIAL  
START  
**937702**

**H01\_01 - INGRANAGGI CAMBIO**

CODE REV

**H.01.01.A0003\_01**





300 serie PS  
PowerSafe®

STEERING COLUMN  
COLUMNA

PIANTONE  
(310)

PLANTON  
LENKSÄULE

DALLA MACCHINA  
DE LA MAQUINA  
DE LA MACHINA  
FROM THE MACHINE  
AB DER MASCHINE

N.

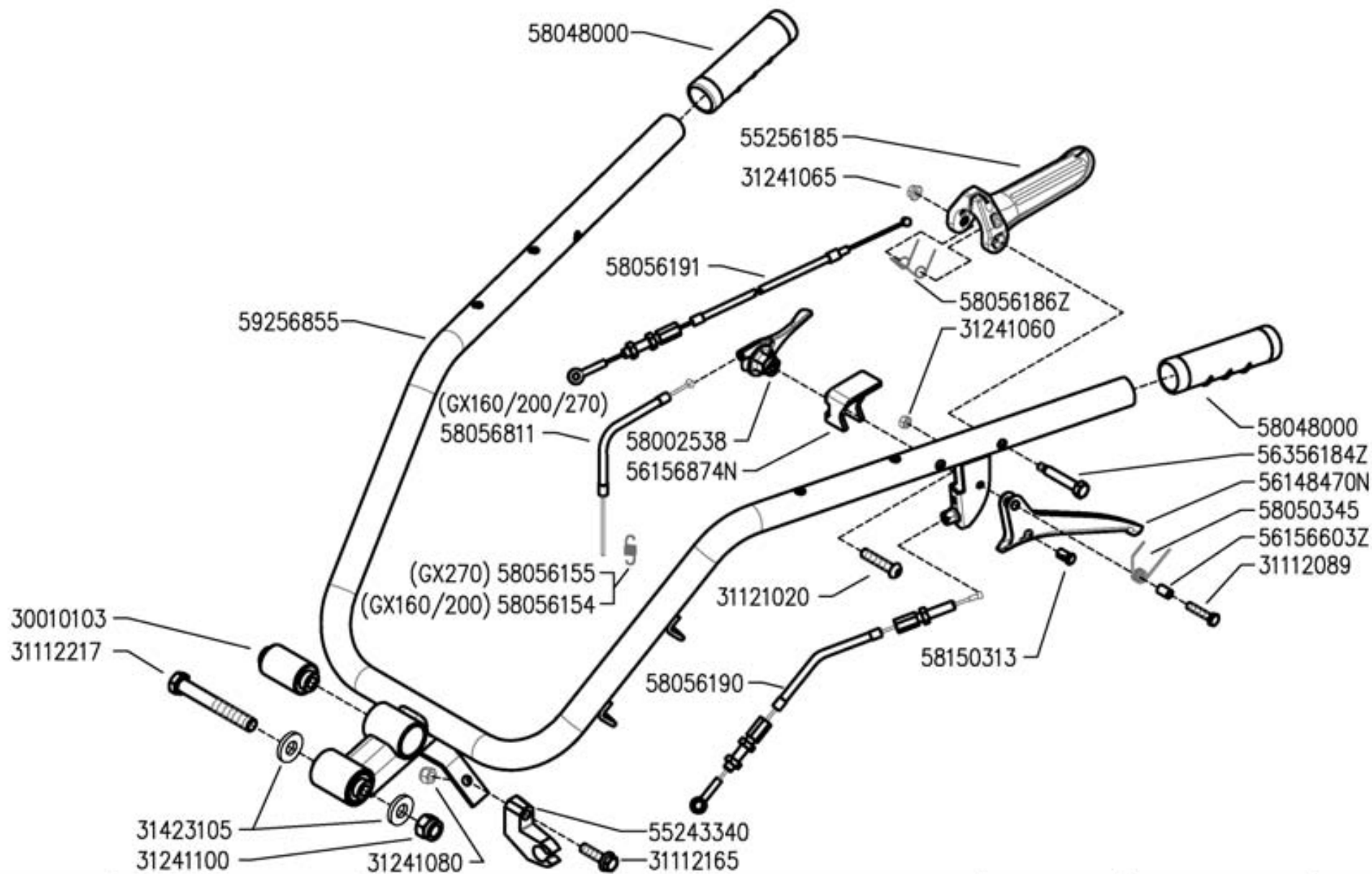

J01 0

05/2009

Rev.

DITEBCS - Scala 1,3

Pos.	Code	Q.ty	Description	Notes
31112217	31112217	1	SCREW TE M10X80 UNI 5737	
31112294	31112294	1	SCREW TE M12X85 UNI 5737	
31241100	31241100	1	SELFLOCK NUT M10 6S	
31241120	31241120	1	SELFLOCK NUT M12	
31421130	31421130	1	WASHER	
31423105	31423105	1	SPRING WASHER 10,5	
34211028	34211028	1	ROLL PIN	
34211041	34211041	1	ROLL PIN	
34221070	34221070	1	CYLINDRICAL PLUG 8X50 UNI 1707	
55251686	55251686	1	LEVER BEARING	
55251688	55251688	1	LEVER	
58042219	58042219	1	SPRING	
56351685	56351685Z	1	ROD	
59056817	59056817B	1	COLUMN	



**FERRARI**

300 serie PS  
PowerSafe®

HANDLEBAR  
MANILLAR

MANUBRIO  
(310)

MANCHERON  
LINCHER

DALLA MACCHINA  
DE LA MAQUINA  
DE LA MAQUINA  
FROM THE MACHINE  
AB DER MASCHINE

N.

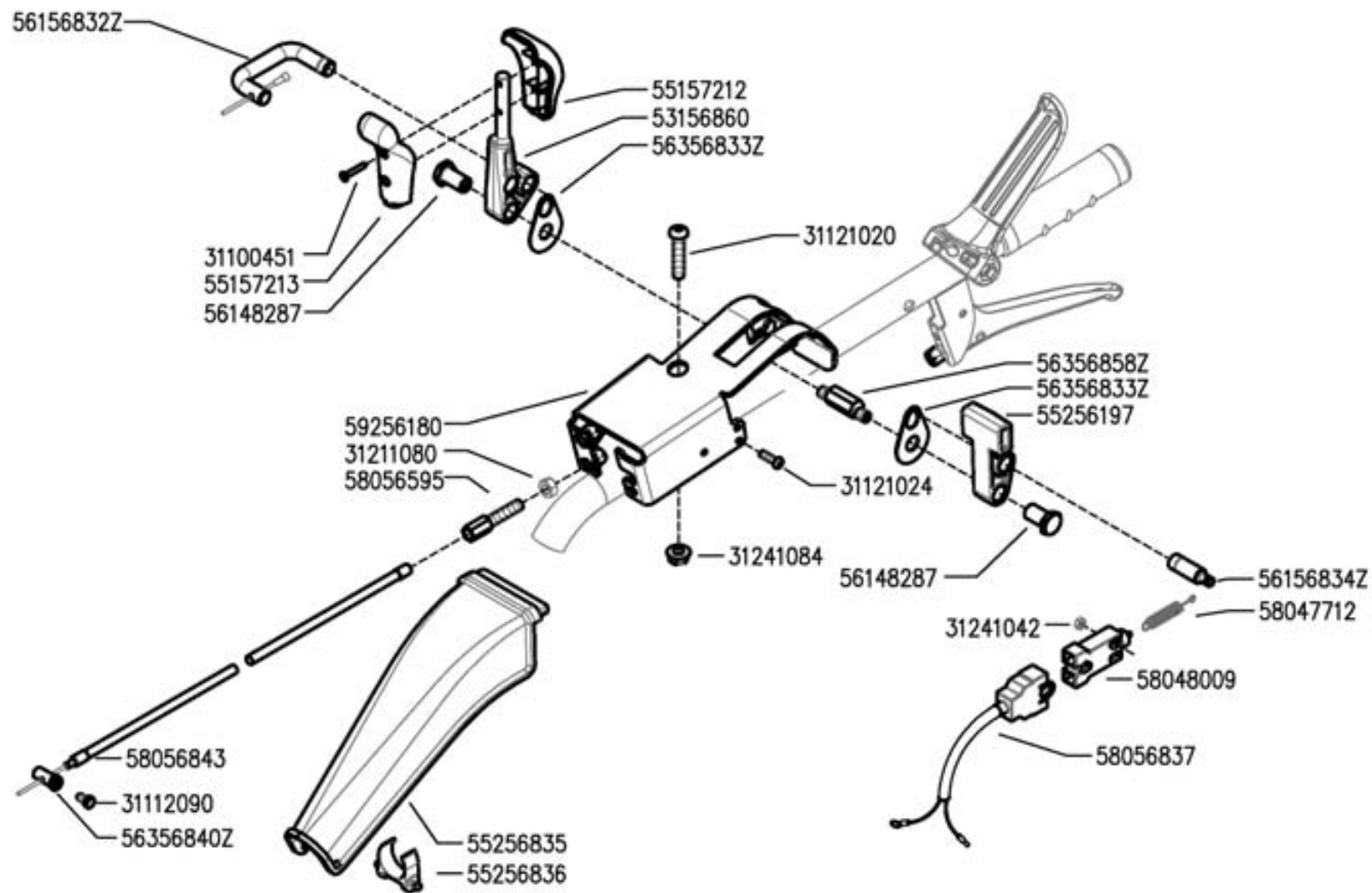
K01 0

05/2009

Rev.

DITEBCS - Scala T.5

Pos.	Code	Q.ty	Description	Notes
30010103	30010103	1	SILENT-BLOCK 10,2X30X45X60,5	
31112089	31112089	1	SCREW TE M6X25 UNI 5739 8G	
31112165	31112165	1	SCREW TE C/F M8X35 DIN 6921 8G	
31112217	31112217	1	SCREW TE M10X80 UNI 5737	
31121020	31121020	1	SCREW TBCEI M8X40 ISO7380 10K Z	
31241060	31241060	1	SELFLOCK NUT M6	
31241065	31241065	1	SELFLOCK NUT M6	
31241080	31241080	1	SELFLOCK NUT M8	
31241100	31241100	1	SELFLOCK NUT M10 6S	
31423105	31423105	1	SPRING WASHER 10,5	
55243340	55243340	1	SUPPORT	
55256185	55256185	1	LEVER	
58002538	58002538	1	COMMAND LEVER	
58048000	58048000	1	KNOB	
58050345	58050345	1	SPRING	
58056154	58056154	1	RESTORING SPRING	Utilizzato con motore GX200
58056155	58056155	1	RESTORING SPRING	Utilizzato con motore GX270
58056190	58056190	1	LINE	
58056191	58056191	1	LINE	
58056811	58056811	1	LINE AND SHEATH	
58150313	58150313	1	CABLE CLAMP	
59256855	59256855	1	HANDLE BAR	
56148470	56148470N	1	LEVER	
56156603	56156603Z	1	SPACER	
56156874	56156874N	1	PANEL	
56356184	56356184Z	1	LEVER PIN	
58056186	58056186Z	1	SPRING	



**FERRARI**

300 serie PS  
PowerSafe®

HANDLEBAR CONTROLS  
CONTROLES EN EL MANILLAR

COMANDI SUL MANUBRIO  
(310)

CONTROLES SUR LE MANCHERON  
KONTROLLEN AM LINCHER

DALLA MACCHINA  
DE LA MAQUINA  
DE LA MAQUINA  
FROM THE MACHINE  
AB DER MASCHINE

N.

Rev.	0
L01	
05/2009	

DATECS - Scala T.S.

Pos.	Code	Q.ty	Description	Notes
31100451	31100451	1	SCREW 3,5X25	
31112090	31112090	1	SCREW TE M6X16 UNI 5739 8G	
31121020	31121020	1	SCREW TBCEI M8X40 ISO7380 10K Z	
31121024	31121024	1	SCREW TBCEI FL.M4X25	
31211080	31211080	1	NUT M8	
31241042	31241042	1	SELFLOCK NUT M4 FL.6S	
31241084	31241084	1	SELFLOCK NUT M8 6S	
53156860	53156860	1	COMMAND LEVER	
55157212	55157212	1	GRIP	
55157213	55157213	1	GRIP	
55256197	55256197	1	LEVER	
55256835	55256835	1	PROTECTION COVER	
55256836	55256836	1	CROSS MEMBER	
56148287	56148287	1	STUD BOLT	
58047712	58047712	1	SPRING	
58048009	58048009	1	SWITCH	
58056595	58056595	1	ADJUSTING SCREW	
58056837	58056837	1	WIRING	
58056843	58056843	1	LINE AND SHEATH	
59256180	59256180	1	SUPPORT	
56156832	56156832Z	1	U BOLT	
56156834	56156834Z	1	INDEXING BOLT	
56356833	56356833Z	1	SMALL PLATE	
56356840	56356840Z	1	CLAMPING SCREW	
56356858	56356858Z	1	PIN	



Pos.	Code	Q.ty	Description	Notes
31100451	31100451	1	SCREW 3,5X25	
31112150	31112150	1	SCREW TE M8X20 UNI 5739 8G	
31201212	31201212	1	NUT M12	
31241080	31241080	1	SELFLOCK NUT M8	
31241084	31241084	1	SELFLOCK NUT M8 6S	
31312082	31312082	1	STUD BOLT M8X38X14X20	
31411104	31411104	1	WASHER 10,5x18	
31414130	31414130	1	WASHER 13	
31421132	31421132	1	WASHER 13X24X2,8	
31423084	31423084	1	SPRING WASHER 8,4	
34110028	34110028	1	SPLIT PIN	
34213020	34213020	1	ROLL PIN	
34213022	34213022	1	ROLL PIN	
34213024	34213024	1	ROLL PIN	
34213061	34213061	1	ROLL PIN	
37911532	37911532	1	BALL 15/32	
38111191	38111191	1	O-RING 115 (11,91X2,62)	
38211400	38211400	1	OIL SEAL 14X22X4	
52357250	52357250	1	PIN	
55157212	55157212	1	GRIP	
55157213	55157213	1	GRIP	
55242528	55242528	1	JOINT	
55248379	55248379	1	JOINT	
55257313	55257313	1	ROLLER	
55257321	55257321	1	STOP	
58020258	58020258	1	SPRING	
59057325	59057325	1	LEVER	
56156818	56156818N	1	PULL ROD	
56156819	56156819N	1	PULL ROD	
56157234	56157234H	1	GEAR SELECTOR	
56157271	56157271N	1	COMMAND LEVER	
56157323	56157323N	1	PTO LEVER	
58057232	58057232Z	1	SPRING	
59056823	59056823V	1	SUMP	

SERIAL

## CONTROLS

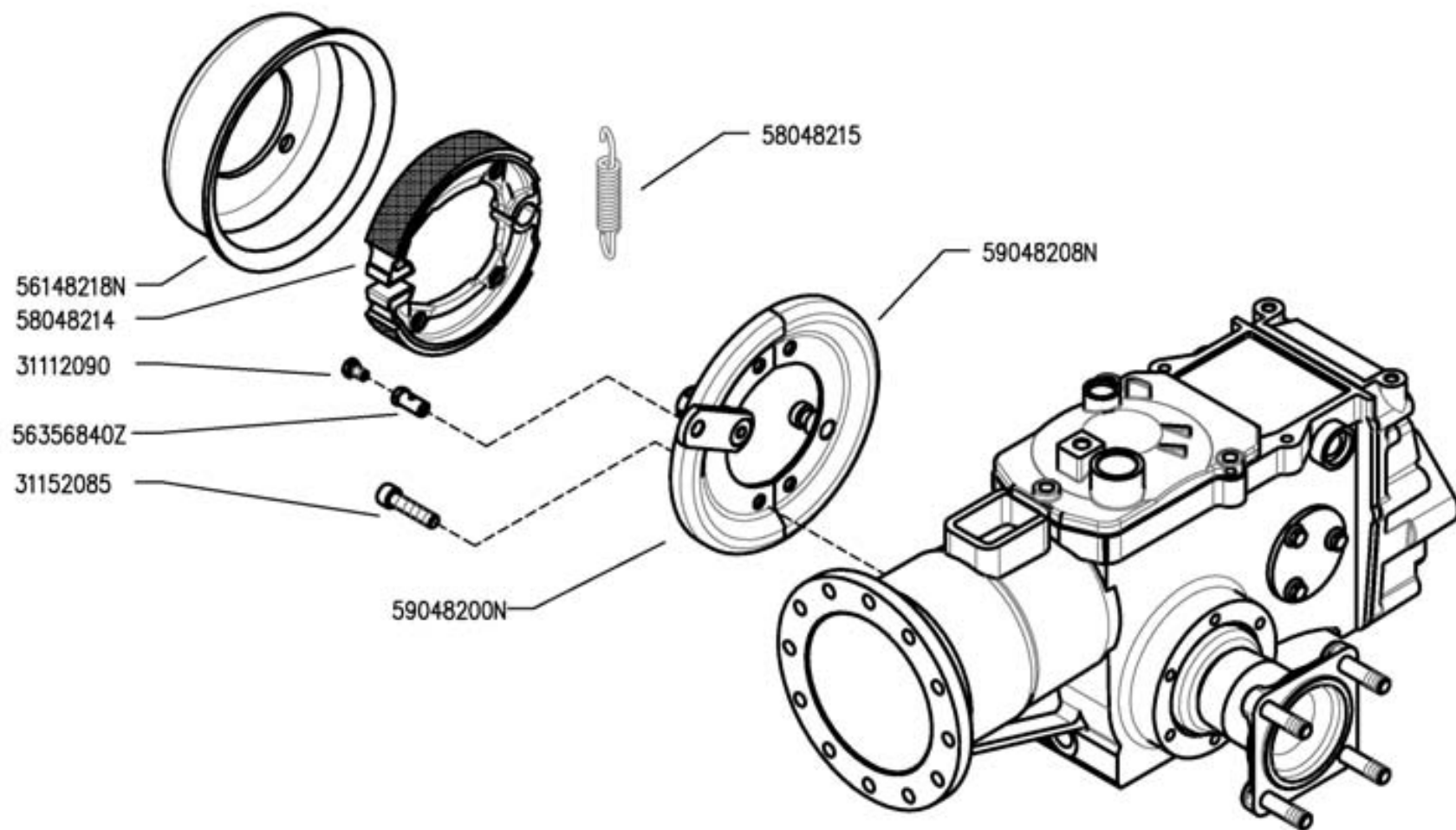
CODE REV

**M01\_0\_67400**





Pos.	Code	Q.ty	Description	Notes
59056824	59056824N	1	SUPPORT	
59057228	59057228N	1	GEAR LEVER	
F0831193	F0831193010	1	SPRING DM.15X70	



**FERRARI**

300 serie PS  
PowerSafe®

BRAKE  
FRENO

FRENO  
(310-320)

FREIN  
BREMSE

DALLA MACCHINA  
DE LA MACCHINA  
DE LA MACCHINA  
FROM THE MACHINE  
AB DER MASCHINE

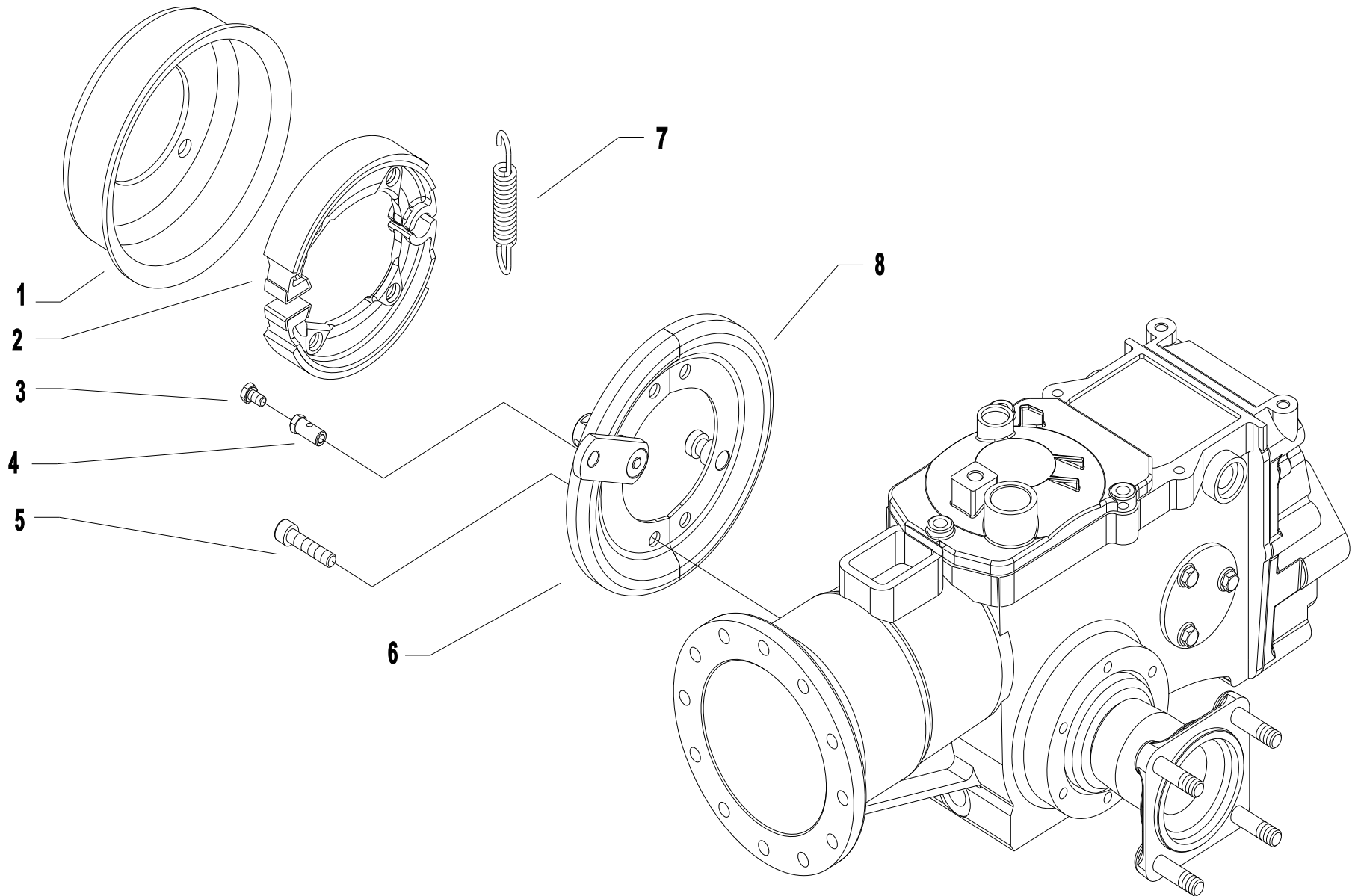
N.

N01

Rev.  
0

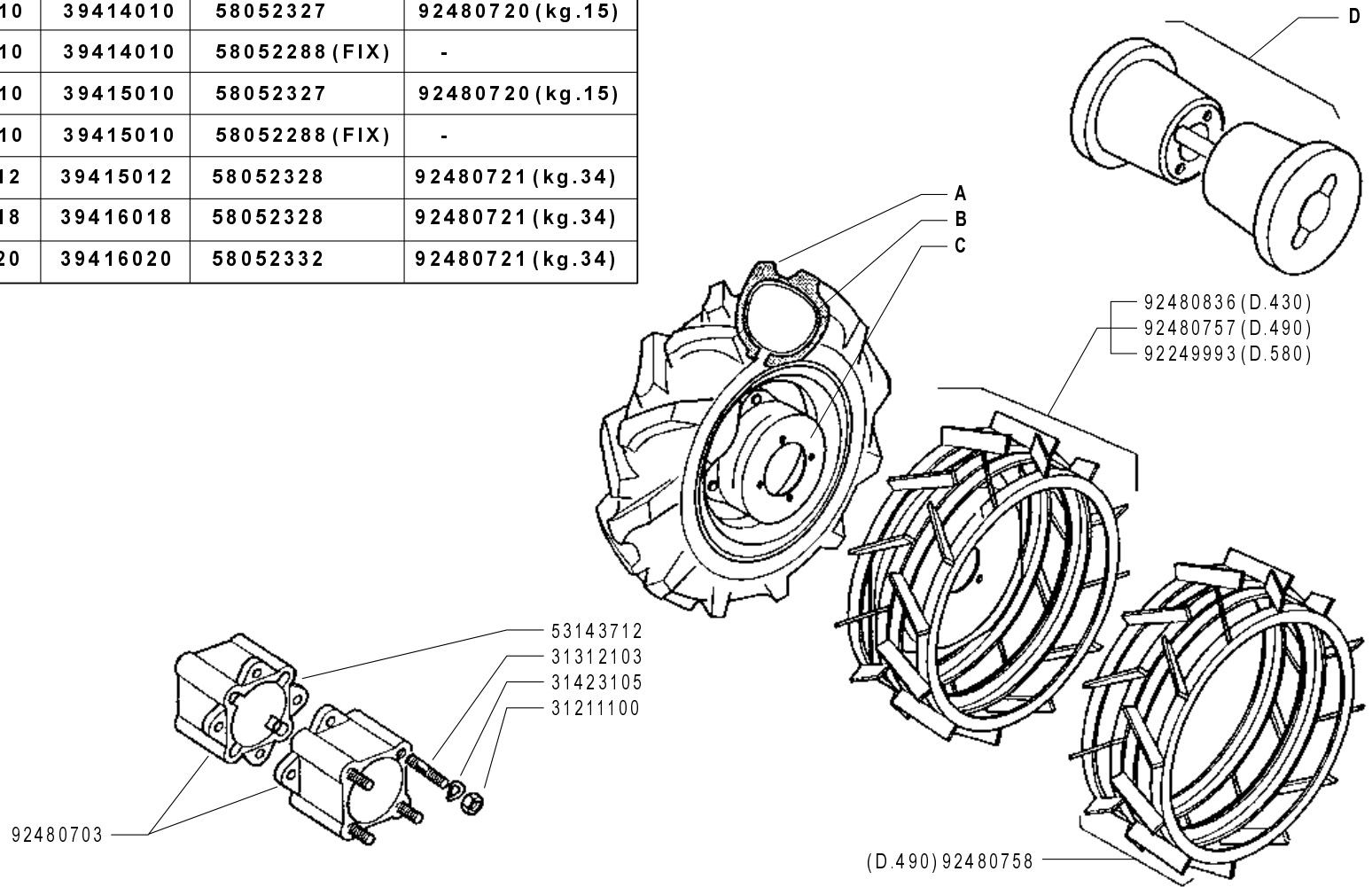
05/2009

Pos.	Code	Q.ty	Description	Notes
31112090	31112090	1	SCREW TE M6X16 UNI 5739 8G	
31152085	31152085	1	SCREW TCEI M8X25 UNI 5931	
58048214	58048214	1	BRAKE BLOCK	
58048215	58048215	1	SPRING	
56148218	56148218N	1	BRAKE DRUM	
56356840	56356840Z	1	CLAMPING SCREW	
59048200	59048200N	1	HALF DISC	
59048208	59048208N	1	HALF DISC	



<b>Pos.</b>	<b>Code</b>	<b>Q.ty</b>	<b>Description</b>	<b>Notes</b>
1	56148218N	1	BRAKE DRUM	
2	58048214	1	BRAKE BLOCK	
3	31112090	1	SCREW TE M6X16 UNI 5739 8G	
4	56356840Z	1	CLAMPING SCREW	
5	31152085	1	SCREW TCEI M8X25 UNI 5931	
6	59048200N	1	HALF DISC	
7	58048215	1	SPRING	
8	59048208	1	HALF DISC	

	A	B	C	D
4.00 - 8"	39114008	39414008	58052326	92480719 (kg.11)
4.0 - 10"	39114010	39414010	58052327	92480720 (kg.15)
4.0 - 10"	39114010	39414010	58052288 (FIX)	-
5.0 - 10"	39115010	39415010	58052327	92480720 (kg.15)
5.0 - 10"	39115010	39415010	58052288 (FIX)	-
5.00 - 12"	39115012	39415012	58052328	92480721 (kg.34)
6.5/80 - 12"	39116018	39416018	58052328	92480721 (kg.34)
6.5/80 - 15"	39116020	39416020	58052332	92480721 (kg.34)



**FERRARI**

**300** serie **PS**  
PowerSafe®

WHEELS  
RUEDAS

RUOTE

ROUES  
RÄDER

DALLA MACCHINA  
FROM THE MACHINE  
DE LA MACHINE  
DE LA MAQUINA  
AB DER MASCHINE

N.

**P01** 0

05/2009

Rev.

ZENNE

Pos.	Code	Q.ty	Description	Notes
31211100	31211100	1	NUT M10	
31312103	31312103	1	STUD BOLT M10X46X24X16	
31423105	31423105	1	SPRING WASHER 10,5	
39114008	39114008	1	TYRE 4.00-8 2PR	
39114010	39114010	1	TYRE 4.0-10 2PR	
39115010	39115010	1	TYRE 5.00-10 2PR	
39115012	39115012	1	TYRE 5.00-12 2PR	
39116018	39116018	1	TYRE 6.5/80-12 2PR	
39116020	39116020	1	TYRE 6.5/80-15 4PR	
39414008	39414008	1	INNER TUBE	
39414010	39414010	1	INNER TUBE	
39415010	39415010	1	INNER TUBE	
39415012	39415012	1	INNER TUBE	
39416018	39416018	1	INNER TUBE	
39416020	39416020	1	INNER TUBE	
53143712	53143712	1	SPACER	
58052288	58052288	1	RIM	
58052326	58052326	1	RIM	
58052327	58052327	1	RIM	
58052328	58052328	1	RIM	
58052332	58052332	1	CERCHIO 5J15 CR GIALLO RAL1003	
92249993	92249993	1	STEEL CAGE WHEELS D. 58 (PAIR)	
92480703	92480703	1	SPACER CM. 6 FOR WHEELS (PAIR)(0901012301)	
92480719	92480719	1	WEIGHTS KG. 11 FOR WHEELS 4.00-8 FOR 305/306 (PAIR)	
92480720	92480720	1	WEIGHTS KG. 15 FOR WHEELS 4.0-10 AND 5.0-10 FOR 305/306/307 (PAIR)	
92480721	92480721	1	WEIGHTS KG. 34 FOR WHEELS 5.00-12 / 6.5/80-12 (PAIR) (0901012307)	
92480757	92480757	1	CAGE WHEELS DIAM. CM. 49 FOR 306/30 (PAIR) (0901012315)	
92480758	92480758	1	ADAPTER RINGS FOR MOUNTING STEEL CAGE WHEELS CM. 49 (PAIR)	
92480836	92480836	1	STEEL CAGE WHEELS DIAM. 43 CM.	

SERIAL

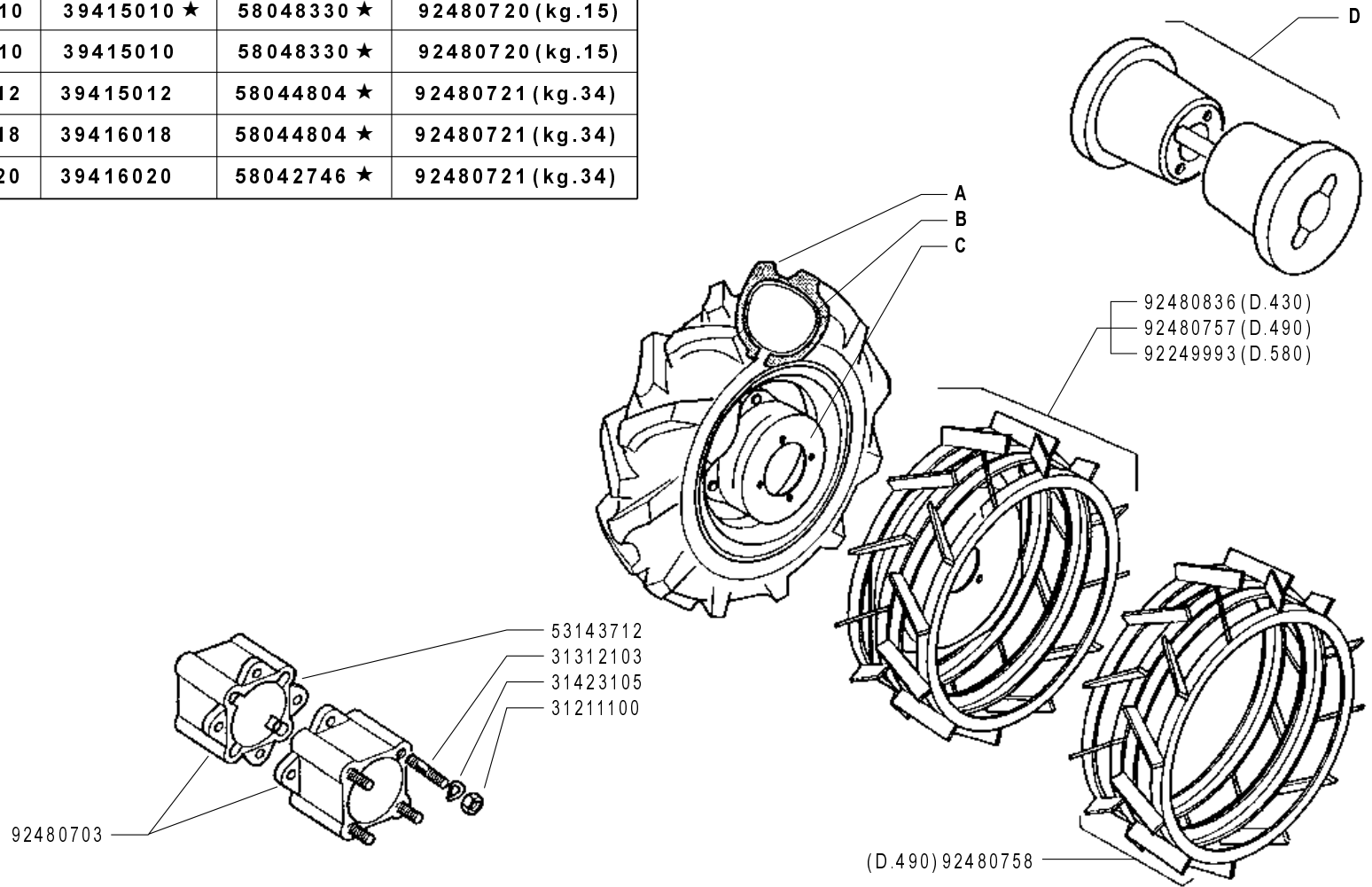
## WHEELS

CODE REV

P01\_0\_67539



	A	B	C	D
4.00 - 8"	39114008	39414008	58043250 ★	92480719 (kg.11)
4.0 - 10"	39114010	39415010 ★	58048330 ★	92480720 (kg.15)
5.0 - 10"	39115010	39415010	58048330 ★	92480720 (kg.15)
5.00 - 12"	39115012	39415012	58044804 ★	92480721 (kg.34)
6.5/80 - 12"	39116018	39416018	58044804 ★	92480721 (kg.34)
6.5/80 - 15"	39116020	39416020	58042746 ★	92480721 (kg.34)



**FERRARI**

**300** serie **PS**  
PowerSafe®

WHEELS  
RUEDAS

RUOTE

ROUES  
RÄDER

DALLA MACCHINA  
FROM THE MACHINE  
DE LA MACHINE  
DE LA MAQUINA  
AB DER MASCHINE

★ N.

AGGIORNAMENTO

REVISION

MISE A JOUR

APLAZAMIENTO

ANPASSUNG

**P01** 1

11/2010

Rev.

ZENNE

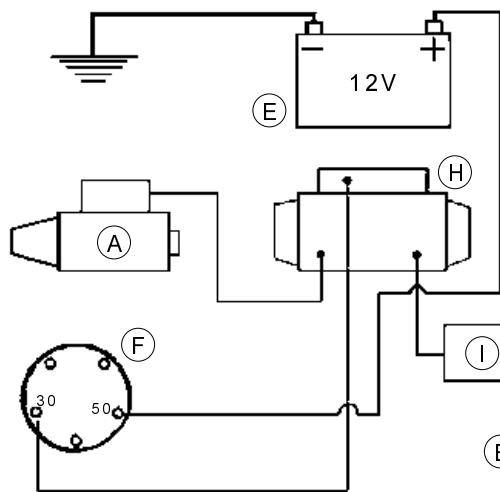
Pos.	Code	Q.ty	Description	Notes
31211100	31211100	1	NUT M10	
31312103	31312103	1	STUD BOLT M10X46X24X16	
31423105	31423105	1	SPRING WASHER 10,5	
39114008	39114008	1	TYRE 4.00-8 2PR	
39114010	39114010	1	TYRE 4.0-10 2PR	
39115010	39115010	1	TYRE 5.00-10 2PR	
39115012	39115012	1	TYRE 5.00-12 2PR	
39116018	39116018	1	TYRE 6.5/80-12 2PR	
39116020	39116020	1	TYRE 6.5/80-15 4PR	
39414008	39414008	1	INNER TUBE	
39414010	39414010	1	INNER TUBE	
39415010	39415010	1	INNER TUBE	
39415012	39415012	1	INNER TUBE	
39416018	39416018	1	INNER TUBE	
39416020	39416020	1	INNER TUBE	
53143712	53143712	1	SPACER	
58042746	58042746	1	RIM	
58043250	58043250	1	RIM	
58044804	58044804	1	RIM	
58048330	58048330	1	RIM	
58052332	58052332	1	CERCHIO 5J15 CR GIALLO RAL1003	
92249993	92249993	1	STEEL CAGE WHEELS D. 58 (PAIR)	
92480703	92480703	1	SPACER CM. 6 FOR WHEELS (PAIR)(0901012301)	
92480719	92480719	1	WEIGHTS KG. 11 FOR WHEELS 4.00-8 FOR 305/306 (PAIR)	
92480720	92480720	1	WEIGHTS KG. 15 FOR WHEELS 4.0-10 AND 5.0-10 FOR 305/306/307 (PAIR)	
92480721	92480721	1	WEIGHTS KG. 34 FOR WHEELS 5.00-12 / 6.5/80-12 (PAIR) (0901012307)	
92480757	92480757	1	CAGE WHEELS DIAM. CM. 49 FOR 306/30 (PAIR) (0901012315)	
92480758	92480758	1	ADAPTER RINGS FOR MOUNTING STEEL CAGE WHEELS CM. 49 (PAIR)	
92480836	92480836	1	STEEL CAGE WHEELS DIAM. 43 CM.	

SERIAL

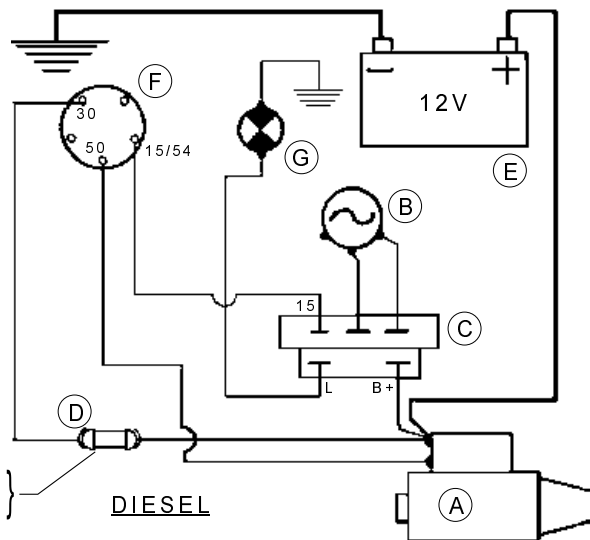
**WHEELS**

CODE REV

**P01\_1\_81340**

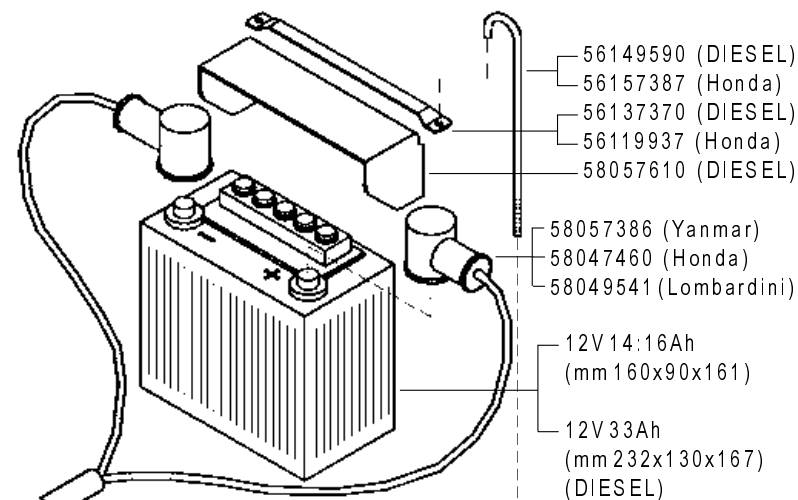


HONDA



(Yanmar) 15A  
(Lombardini) 25A

DIESEL



56149590 (DIESEL)  
56157387 (Honda)  
56137370 (DIESEL)  
56119937 (Honda)  
58057610 (DIESEL)

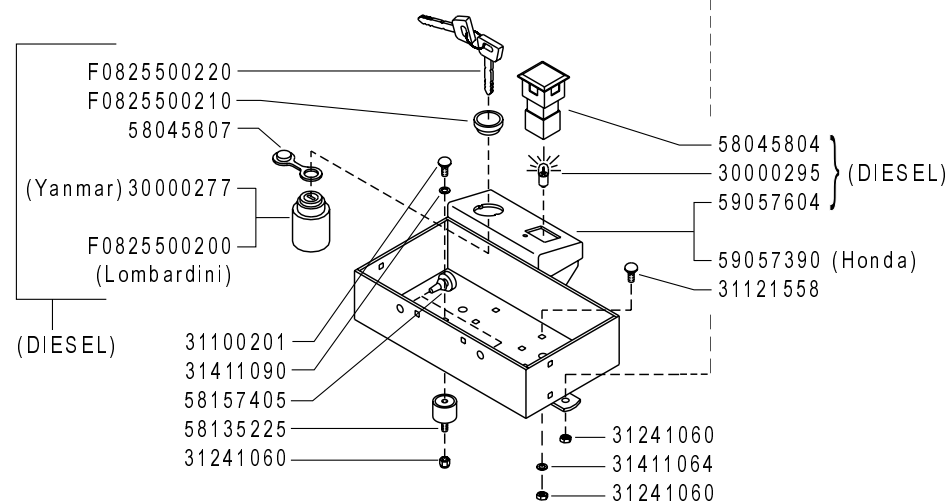
58057386 (Yanmar)  
58047460 (Honda)  
58049541 (Lombardini)

12V 14:16Ah  
(mm 160x90x161)

12V 33Ah  
(mm 232x130x167)  
(DIESEL)

A	B	C	D
MOTORINO D'AVVIAMENTO STARTER DÉMARREUR MOT. DE ARRANQUE ANLASSMOTOR	GENERATORE GENERATOR GÉNÉRATEUR GENERADOR GENERATOR	REGOLATORE REGULATOR RÉGULATEUR REGULADOR REGLER	FUSIBILI FUSES FUSIBLES FUSIBLES SCHMELZSICHERUNGEN

E	F	G	H	I
BATTERIA BATTERY BATTERIE BATERIA BATERIE	INTERRUTTORE SWITCH INTERRUPTEUR INTERRUPTOR SCHALTER	SPIA CARICA BATTERIA BATTERY LONG WARN. LIGHT TEMOIN CHARG. BATTERIE LUZ CARGA BATERIA BATTERIE LADUNG KTRL. LAMPE	SOLENOIDE SOLENOID SOLÉNOÏDE SOLENOIDE SOLENOID	DIODO DIODE DIODE DIODE DIODE



F0825500220  
F0825500210  
58045807  
(Yanmar) 30000277  
F0825500200  
(Lombardini)

(DIESEL)

58045804  
30000295  
59057604  
59057390 (Honda)  
31121558

31100201  
31411090  
58157405  
58135225  
31241060  
31241060  
31411064  
31241060

FERRARI

300 serie PS  
PowerSafe®

AVVIAMENTO ELETTRICO

ELECTRIC STARTER  
ARRANQUE ELECTRICO

DÉMARRAGE ELECTRIQUE  
ELEKTROSTART

DALLA MACCHINA  
FROM THE MACHINE  
DE LA MACHINE  
DE LA MAQUINA  
AB DER MASCHINE

N.

Q01 0

05/2009

Rev.

ZENNE

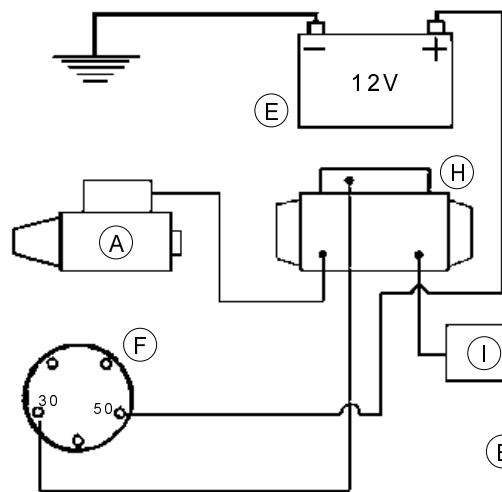
Pos.	Code	Q.ty	Description	Notes
30000277	30000277	1	SWITCH	
30000295	30000295	1	LAMP	
31100201	31100201	1	SCREW TTQ M6X12 UNI 5731	
31121558	31121558	0	SCREW TTQ M6X16 UNI 5731	
31241060	31241060	1	SELFLOCK NUT M6	
31411064	31411064	1	WASHER 6,4x12,5	
31411090	31411090	1	WASHER 9x24	
56119937	56119937	1	BATTERY SUPPORT	
56137370	56137370	1	BATTERY BRACKET	
56149590	56149590	1	BATTERY BRACKET	
56157387	56157387	1	ROD	
58045804	58045804	1	WARNING LIGHT	
58045807	58045807	1	LOCK COVER	
58047460	58047460	1	WIRING	
58049541	58049541	1	WIRING	
58057386	58057386	1	WIRING	
58057610	58057610	1	BOX	
58135225	58135225	0	VIBRATION-DAMPING	
58157405	58157405	1	PLUG	
59057390	59057390	1	BOX	
59057604	59057604	1	BOX	
F0825500	F0825500200	1	CHANGE-OVER SWITCH	
F0825500	F0825500210	1	RING NUT	
F0825500	F0825500220	1	KEY	

SERIAL

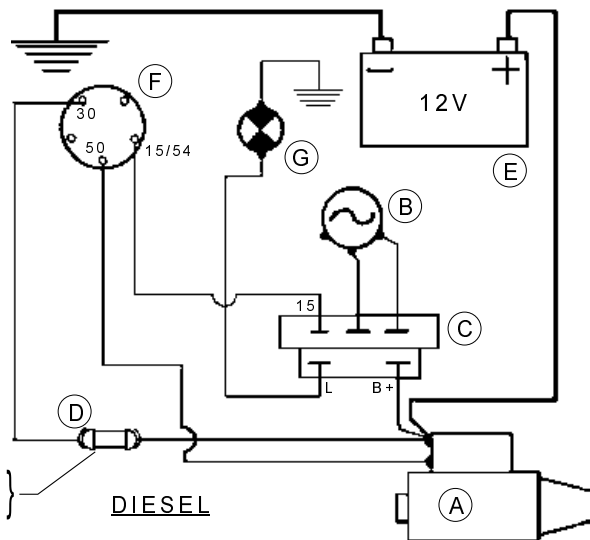
**ELECTRIC STARTER**

CODE REV

**Q01\_0\_67569**

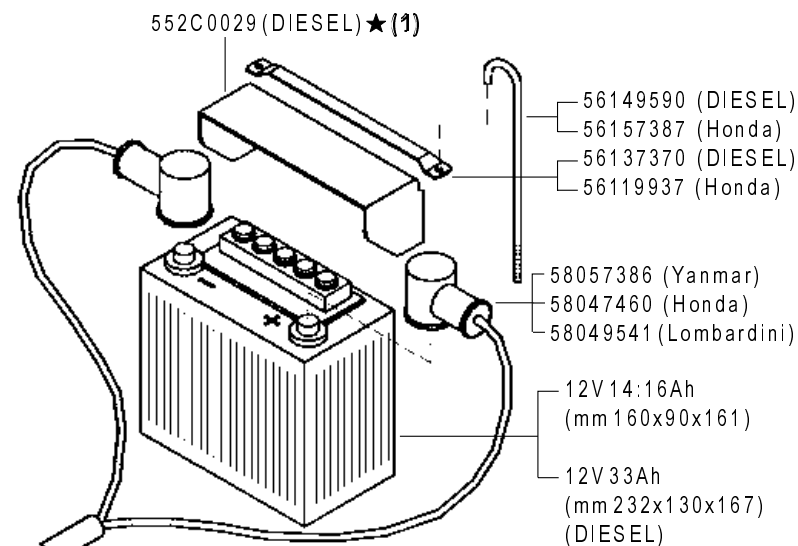


HONDA



(Yanmar) 15A  
(Lombardini) 25A

DIESEL



552C0029 (DIESEL) ★(1)  
56149590 (DIESEL)  
56157387 (Honda)  
56137370 (DIESEL)  
56119937 (Honda)

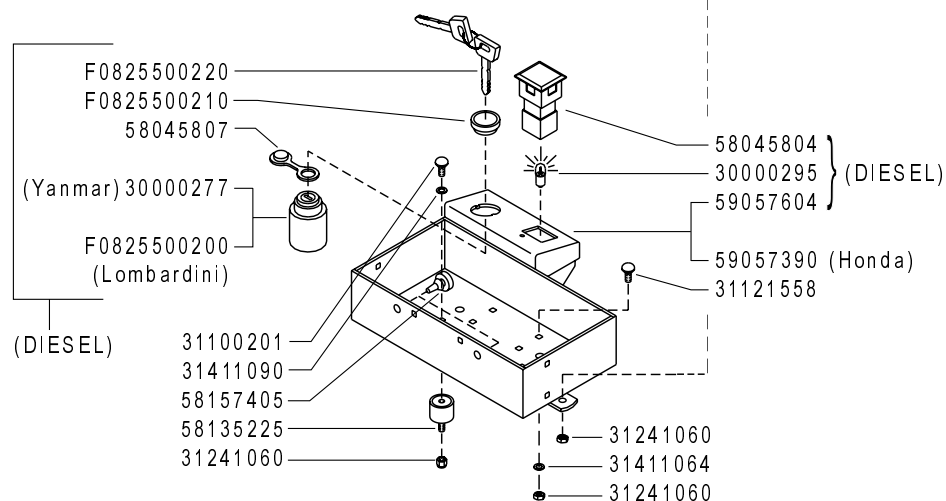
58057386 (Yanmar)  
58047460 (Honda)  
58049541 (Lombardini)

12V 14:16Ah  
(mm 160x90x161)

12V 33Ah  
(mm 232x130x167)  
(DIESEL)

A	B	C	D
MOTORINO D'AVVIAMENTO STARTER DÉMARREUR MOT. DE ARRANQUE ANLASSMOTOR	GENERATORE GENERATOR GÉNÉRATEUR GENERADOR GENERATOR	REGOLATORE REGULATOR RÉGULATEUR REGULADOR REGLER	FUSIBILI FUSES FUSIBLES FUSIBLES SCHMELZSICHERUNGEN

E	F	G	H	I
BATTERIA BATTERY BATTERIE BATERIA BATERIE	INTERRUTTORE SWITCH INTERRUPTEUR INTERRUPTOR SCHALTER	SPIA CARICA BATTERIA BATTERY LONG WARN. LIGHT TEMOIN CHARG. BATTERIE LUZ CARGA BATERIA BATTERIE LADUNG KTRL. LAMPE	SOLENOIDE SOLENOID SOLÉNOÏDE SOLENOIDE SOLENOID	DIODO DIODE DIODE DIODE DIODE



F0825500220  
F0825500210  
58045807

(Yanmar) 30000277

F0825500200  
(Lombardini)

(DIESEL)

58045804  
30000295  
59057604 } (DIESEL)

59057390 (Honda)  
31121558

31100201  
31411090  
58157405  
58135225  
31241060  
31241060  
31241060  
31241060

(1) sostituisce 58057610

FERRARI

300 serie PS  
PowerSafe®

AVVIAMENTO ELETTRICO

ELECTRIC STARTER  
ARRANQUE ELECTRICO

DÉMARRAGE ELECTRIQUE  
ELEKTROSTART

DALLA MACCHINA  
FROM THE MACHINE  
DE LA MACHINE  
DE LA MAQUINA  
AB DER MASCHINE

★ N.

884219

Q01 1

05/2011

Rev.

ZENNE

Pos.	Code	Q.ty	Description	Notes
30000277	30000277	1	SWITCH	
30000295	30000295	1	LAMP	
31100201	31100201	1	SCREW TTQ M6X12 UNI 5731	
31121558	31121558	0	SCREW TTQ M6X16 UNI 5731	
31241060	31241060	1	SELFLOCK NUT M6	
31411064	31411064	1	WASHER 6,4x12,5	
31411090	31411090	1	WASHER 9x24	
552C0029	552C0029	1	COPERCHIO BATTERIA 750	
56119937	56119937	1	BATTERY SUPPORT	
56137370	56137370	1	BATTERY BRACKET	
56149590	56149590	1	BATTERY BRACKET	
56157387	56157387	1	ROD	
58045804	58045804	1	WARNING LIGHT	
58045807	58045807	1	LOCK COVER	
58047460	58047460	1	WIRING	
58049541	58049541	1	WIRING	
58057386	58057386	1	WIRING	
58135225	58135225	0	VIBRATION-DAMPING	
58157405	58157405	1	PLUG	
59057390	59057390	1	BOX	
59057604	59057604	1	BOX	
F0825500	F0825500200	1	CHANGE-OVER SWITCH	
F0825500	F0825500210	1	RING NUT	
F0825500	F0825500220	1	KEY	

SERIAL  
START  
**884219**

**ELECTRIC STARTER**

CODE REV  
**Q01\_1\_81859**



58056864



58056866



58057746



58057451



58057676



58057724



58056867



58056868



58057450



58057748



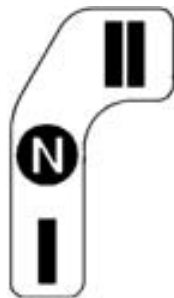
58057677



58057767



58056869



58057732



58057747



58057625



58093089



58057768

**FERRARI**

300 serie PS  
PowerSafe®

STICKERS  
ADHESIVOS

ADESIVE

AUTOCOLLANTS  
AUFKLEBES

DALLA MACCHINA  
FROM THE MACHINE  
DE LA MACHINE  
DE LA MAQUINA  
AB DER MASCHINE

N.

Rev. **R01** 0

05/2009

ZENNE

Pos.	Code	Q.ty	Description	Notes
58056864	58056864	1	DECAL	
58056866	58056866	1	DECAL	
58056867	58056867	1	DECAL	
58056868	58056868	1	DECAL	
58056869	58056869	1	DECAL	
58057450	58057450	1	DECAL	
58057451	58057451	1	DECAL	
58057625	58057625	1	DECAL	
58057676	58057676	1	DECAL	
58057677	58057677	1	DECAL	
58057724	58057724	1	DECAL	
58057732	58057732	1	DECAL	
58057746	58057746	1	DECAL	
58057747	58057747	1	DECAL	
58057748	58057748	1	DECAL	
58057767	58057767	1	DECAL	
58057768	58057768	1	DECAL	
58093089	58093089	1	DECAL	

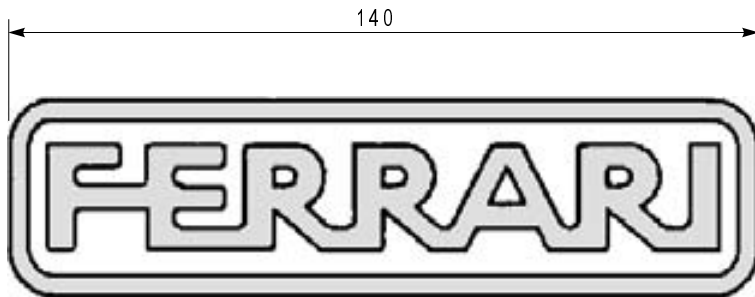




58052156



58052019



58052029



53057666

**310**

58052037

**320**

58052038

**330**

58052039

**340**

58052047

**346**

58052152

**FERRARI**

**300** serie **PS**  
**PowerSafe** ®

STICKERS  
ADHESIVOS

ADESIVE

AUTOCOLLANTS  
AUFKLEBES

DALLA MACCHINA  
FROM THE MACHINE  
DE LA MACHINE  
DE LA MAQUINA  
AB DER MASCHINE

N.

**R02** 0

05/2009

Rev.

ZENNE

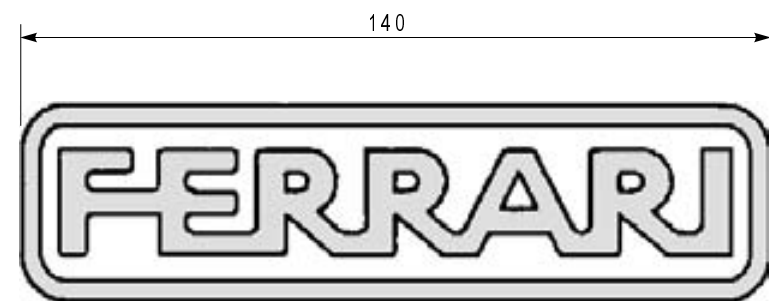
<b>Pos.</b>	<b>Code</b>	<b>Q.ty</b>	<b>Description</b>	<b>Notes</b>
53057666	53057666	1	MARCHIO POWERSAFE	
58052019	58052019	1	DECAL	
58052029	58052029	1	DECAL	
58052037	58052037	1	DECAL	
58052038	58052038	1	DECAL	
58052039	58052039	1	DECAL	
58052047	58052047	1	DECAL	
58052152	58052152	1	DECAL	
58052156	58052156	1	DECAL	



58052019



53052176 ★



58052029



53057666



58052037



58052038



58052039



58052047



58052191 ★



58052152

**FERRARI**

300 serie PS  
PowerSafe®

STICKERS  
ADHESIVOS

ADESIVE

AUTOCOLLANTS  
AUFKLEBES

DALLA MACCHINA  
FROM THE MACHINE  
DE LA MACHINE  
DE LA MAQUINA  
AB DER MASCHINE

AGGIORNAMENTO  
REVISION  
MISE A JOUR  
APLAZAMIENTO  
ANPASSUNG

★ N.

**R02**

Rev.  
**1**

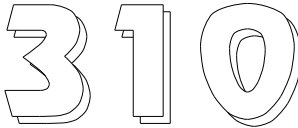
11/2010

ZENNE

Pos.	Code	Q.ty	Description	Notes
53052176	53052176	1	BIG FERRARI BRAND	
53057666	53057666	1	MARCHIO POWERSAFE	
58052019	58052019	1	DECAL	
58052029	58052029	1	DECAL	
58052037	58052037	1	DECAL	
58052038	58052038	1	DECAL	
58052039	58052039	1	DECAL	
58052047	58052047	1	DECAL	
58052152	58052152	1	DECAL	
58052191	58052191	1	DECAL	

**PowerSafe** ®

1



6



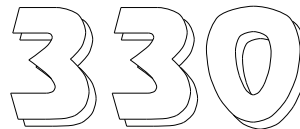
7

**EasyDrive** ®

2



8



9



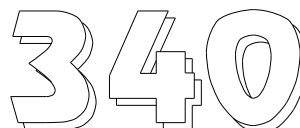
3



4



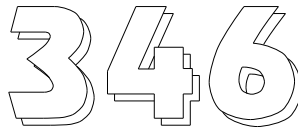
10



11



5



12



13

Pos.	Code	Q.ty	Description	Notes
1	53057666	1	MARCHIO POWERSAFE	
2	53057670	1	DECAL	
3	53052175	1	MEDIUM FERRARI BRAND	
4	530C0056	1	DECAL	
5	53052176	1	BIG FERRARI BRAND	
6	58052178	1	DECAL	
7	58052179	1	DECAL	
8	58052193	1	DECAL	
9	58052180	1	DECAL	
10	58052192	1	DECAL	
11	58052181	1	DECAL	
12	58052182	1	DECAL	
13	58052191	1	DECAL	

# SPARE PARTS INSTANCE INDEX





# SPARE PARTS INSTANCE INDEX

Code	Parts Table	Pos.	Q.ty	Code	Parts Table	Pos.	Q.ty	Code	Parts Table	Pos.	Q.ty
30000197	B.01.01.A0001_03	9	1	31112099	D01_0_66794	31112099	1	31211100	I01_0_67010	31211100	1
	B01_0_66748	30000197	1		D01_1_77361	31112099	1		P01_0_67539	31211100	1
	B01_1_72788	30000197	1	31112150	M01_0_67400	31112150	1		P01_1_81340	31211100	1
30000277	Q01_0_67569	30000277	1	31112154	A01_0_66711	31112154	1	31221121	G01_0_66844	31221121	1
	Q01_1_81859	30000277	1	31112165	K01_0_67213	31112165	1	31241042	L01_0_67298	31241042	1
30000295	Q01_0_67569	30000295	1	31112166	I01_0_67010	31112166	1	31241060	A01_0_66711	31241060	1
	Q01_1_81859	30000295	1	31112167	I01_0_67010	31112167	1		K01_0_67213	31241060	1
30010103	K01_0_67213	30010103	1	31112171	A01_0_66711	31112171	1		Q01_0_67569	31241060	1
30040133	G01_0_66844	30040133	1	31112210	H.01.01.A0003_01	28	1		Q01_1_81859	31241060	1
31100015	F01_0_66821	31100015	1		H01_0_66868	31112210	1	31241065	K01_0_67213	31241065	1
	F01_1_77388	31100015	1	31112217	J01_0_67154	31112217	1	31241080	K01_0_67213	31241080	1
31100023	E01_0_66804	31100023	1		K01_0_67213	31112217	1		M01_0_67400	31241080	1
	E01_1_77371	31100023	1	31112294	J01_0_67154	31112294	1	31241083	F01_0_66821	31241083	1
31100029	E01_0_66804	31100029	1	31121008	A01_0_66711	31121008	1		F01_1_77388	31241083	1
	E01_1_77371	31100029	1	31121020	K01_0_67213	31121020	1	31241084	A01_0_66711	31241084	1
31100031	E01_0_66804	31100031	1		L01_0_67298	31121020	1		G01_0_66844	31241084	1
	E01_1_77371	31100031	1	31121024	L01_0_67298	31121024	1		L01_0_67298	31241084	1
31100201	Q01_0_67569	31100201	1	31121558	Q01_0_67569	31121558	0		M01_0_67400	31241084	1
	Q01_1_81859	31100201	1		Q01_1_81859	31121558	0	31241100	J01_0_67154	31241100	1
31100451	L01_0_67298	31100451	1	31132562	G01_0_66844	31132562	1		K01_0_67213	31241100	1
	M01_0_67400	31100451	1	31152060	B.01.01.A0001_03	24	1	31241120	I01_0_67010	31241120	1
31104022	F01_0_66821	31104022	1		B01_0_66748	31152060	1		J01_0_67154	31241120	1
	F01_1_77388	31104022	1		B01_1_72788	31152060	1	31312073	F01_0_66821	31312073	1
31112083	G01_0_66844	31112083	1		B01_2_77329	31152060	1		F01_1_77388	31312073	1
31112084	B.01.01.A0001_03	16	1	31152063	B.01.01.A0001_03	1	1	31312082	G01_0_66844	31312082	1
	B01_0_66748	31112084	1		B01_0_66748	31152063	1		M01_0_67400	31312082	1
	B01_1_72788	31112084	1		B01_1_72788	31152063	1	31312086	G01_0_66844	31312086	1
	B01_2_77329	31112084	1		B01_2_77329	31152063	1	31312094	G01_0_66844	31312094	1
31112085	A01_0_66711	31112085	1	31152085	N.01.01.A0003_01	5	1	31312097	F01_0_66821	31312097	1
31112089	K01_0_67213	31112089	1		N01_0_67516	31152085	1		F01_1_77388	31312097	1
31112090	L01_0_67298	31112090	1	31152090	E01_0_66804	31152090	1	31312102	I01_0_67010	31312102	1
	N.01.01.A0003_01	3	1		E01_1_77371	31152090	1	31312103	P01_0_67539	31312103	1
	N01_0_67516	31112090	1	31201212	M01_0_67400	31201212	1		P01_1_81340	31312103	1
31112099	D.01.01.A0001_02	2	1	31211080	L01_0_67298	31211080	1	31312124	G01_0_66844	31312124	1





## SPARE PARTS INSTANCE INDEX

Code	Parts Table	Pos.	Q.ty	Code	Parts Table	Pos.	Q.ty	Code	Parts Table	Pos.	Q.ty
31312125	G01_0_66844	31312125	1	34211025	H01_0_66868	34211025	1	35211120	H.01.01.A0003_01	31	1
31411064	Q01_0_67569	31411064	1	34211028	J01_0_67154	34211028	1		H01_0_66868	35211120	1
	Q01_1_81859	31411064	1	34211041	J01_0_67154	34211041	1	37111150	H.01.01.A0003_01	1	1
31411090	Q01_0_67569	31411090	1	34213020	M01_0_67400	34213020	1		H01_0_66868	37111150	1
	Q01_1_81859	31411090	1	34213022	M01_0_67400	34213022	1	37111152	H.01.01.A0003_01	29	1
31411104	M01_0_67400	31411104	1	34213024	M01_0_67400	34213024	1		H01_0_66868	37111152	1
31414130	M01_0_67400	31414130	1	34213060	H.01.01.A0003_01	21	1	37111250	I01_0_67010	37111250	1
31421083	E01_0_66804	31421083	1		H01_0_66868	34213060	1	37111255	H.01.01.A0003_01	22	1
	E01_1_77371	31421083	1	34213061	H.01.01.A0003_01	9	1		H01_0_66868	37111255	1
31421101	H.01.01.A0003_01	30	1		H01_0_66868	34213061	1	37112229	H.01.01.A0003_01	5	1
	H01_0_66868	31421101	1		M01_0_67400	34213061	1		H01_0_66868	37112229	1
31421130	I01_0_67010	31421130	1	34221040	B.01.01.A0001_03	5	1	37141253	C.01.01.A0001_02	7	1
	J01_0_67154	31421130	1		B01_0_66748	34221040	1		C01_0_66780	37141253	1
31421132	G01_0_66844	31421132	1		B01_1_72788	34221040	1		C01_1_72820	37141253	1
	M01_0_67400	31421132	1		B01_2_77329	34221040	1	37161500	C.01.01.A0001_02	3	1
31423084	F01_0_66821	31423084	1	34221070	J01_0_67154	34221070	1		C01_0_66780	37161500	1
	F01_1_77388	31423084	1	34311060	I01_0_67010	34311060	1		C01_1_72820	37161500	1
	M01_0_67400	31423084	1	35111029	E01_0_66804	35111029	1	37320120	H.01.01.A0003_01	18	1
31423105	I01_0_67010	31423105	1		E01_1_77371	35111029	1		H01_0_66868	37320120	1
	J01_0_67154	31423105	1	35111052	H.01.01.A0003_01	24	1	37910832	H.01.01.A0003_01	13	1
	K01_0_67213	31423105	1		H01_0_66868	35111052	1		H01_0_66868	37910832	1
	P01_0_67539	31423105	1		I01_0_67010	35111052	1	37911532	M01_0_67400	37911532	1
	P01_1_81340	31423105	1	35111055	H.01.01.A0003_01	6	1	38110675	E01_0_66804	38110675	1
31480180	B01_0_66748	31480180	1		H01_0_66868	35111055	1		E01_1_77371	38110675	1
	B01_1_72788	31480180	1	35121031	H.01.01.A0003_01	4	1	38110873	D.01.01.A0001_02	4	1
31480184	B.01.01.A0001_03	10	1		H01_0_66868	35121031	1		D01_0_66794	38110873	1
	B01_0_66748	31480184	1	35211050	B.01.01.A0001_03	17	1		D01_1_77361	38110873	1
	B01_1_72788	31480184	1		B01_0_66748	35211050	1		F01_0_66821	38110873	1
	B01_2_77329	31480184	1		B01_1_72788	35211050	1		F01_1_77388	38110873	1
	G01_0_66844	31480184	1		B01_2_77329	35211050	1	38111191	M01_0_67400	38111191	1
31510099	A01_0_66711	31510099	1	35211060	B.01.01.A0001_03	15	1	38111872	E01_0_66804	38111872	1
31510100	A01_0_66711	31510100	1		B01_0_66748	35211060	1		E01_1_77371	38111872	1
34110028	M01_0_67400	34110028	1		B01_1_72788	35211060	1	38118859	C.01.01.A0001_02	1	1
34211025	H.01.01.A0003_01	15	1		B01_2_77329	35211060	1		C01_0_66780	38118859	1



## SPARE PARTS INSTANCE INDEX

Code	Parts Table	Pos.	Q.ty	Code	Parts Table	Pos.	Q.ty	Code	Parts Table	Pos.	Q.ty
38118859	C01_1_72820	38118859	1	39116020	P01_1_81340	39116020	1	52456234	E01_0_66804	52456234	1
38119823	F01_0_66821	38119823	1	39414008	P01_0_67539	39414008	1		E01_1_77371	52456234	1
	F01_1_77388	38119823	1		P01_1_81340	39414008	1	52456235	B01_0_66748	52456235	1
38120500	C.01.01.A0001_02	9	1	39414010	P01_0_67539	39414010	1		B01_1_72788	52456235	1
	C01_0_66780	38120500	1		P01_1_81340	39414010	1		B01_2_77329	52456235	1
	C01_1_72820	38120500	1	39415010	P01_0_67539	39415010	1	52456236	F01_0_66821	52456236	1
38140850	C.01.01.A0001_02	11	1		P01_1_81340	39415010	1		F01_1_77388	52456236	1
	C01_0_66780	38140850	1	39415012	P01_0_67539	39415012	1	52456237	F01_0_66821	52456237	1
	C01_1_72820	38140850	1		P01_1_81340	39415012	1		F01_1_77388	52456237	1
38211400	B.01.01.A0001_03	19	1	39416018	P01_0_67539	39416018	1	52456243	E01_0_66804	52456243	1
	B01_0_66748	38211400	1		P01_1_81340	39416018	1		E01_1_77371	52456243	1
	B01_1_72788	38211400	1	39416020	P01_0_67539	39416020	1	52456245	E01_0_66804	52456245	1
	B01_2_77329	38211400	1		P01_1_81340	39416020	1		E01_1_77371	52456245	1
	M01_0_67400	38211400	1	51156214	B.01.01.A0001_03	2	1	52456335	H.01.01.A0003_01	8	1
38212500	F01_0_66821	38212500	1		B01_0_66748	51156214	1		H01_0_66868	52456335	1
	F01_1_77388	38212500	1		B01_1_72788	51156214	1	52456339	H.01.01.A0003_01	27	1
38212502	I01_0_67010	38212502	1		B01_2_77329	51156214	1		H01_0_66868	52456339	1
38213202	F01_0_66821	38213202	1	52156825N	I01_0_67010	52156825	1	52456354	H.01.01.A0003_01	25	1
	F01_1_77388	38213202	1	52357250	M01_0_67400	52357250	1		H01_0_66868	52456354	1
38213500	F01_0_66821	38213500	1	52456211	C01_0_66780	52456211	1	52456356	H.01.01.A0003_01	26	1
	F01_1_77388	38213500	1	52456217	B.01.01.A0001_03	3	1		H01_0_66868	52456356	1
38213800	H.01.01.A0003_01	7	1		B01_0_66748	52456217	1	52456362	H01_0_66868	52456362	1
	H01_0_66868	38213800	1		B01_1_72788	52456217	1	52456389	H.01.01.A0003_01	20	1
39114008	P01_0_67539	39114008	1		B01_2_77329	52456217	1		H01_0_66868	52456389	1
	P01_1_81340	39114008	1	52456220	B.01.01.A0001_03	20	1	52456390	H.01.01.A0003_01	11	1
39114010	P01_0_67539	39114010	1		B01_0_66748	52456220	1		H01_0_66868	52456390	1
	P01_1_81340	39114010	1		B01_1_72788	52456220	1	52456694	C.01.01.A0001_02	6	1
39115010	P01_0_67539	39115010	1		B01_2_77329	52456220	1		C01_1_72820	52456694	1
	P01_1_81340	39115010	1	52456223	B.01.01.A0001_03	4	1	52456706	H.01.01.A0003_01	3	1
39115012	P01_0_67539	39115012	1		B01_0_66748	52456223	1	53052175	R.02.01.A0003_02	3	1
	P01_1_81340	39115012	1		B01_1_72788	52456223	1	53052176	R.02.01.A0003_02	5	1
39116018	P01_0_67539	39116018	1		B01_2_77329	52456223	1		R02_1_82042	53052176	1
	P01_1_81340	39116018	1	52456233	E01_0_66804	52456233	1	53057666	R.02.01.A0003_02	1	1
39116020	P01_0_67539	39116020	1		E01_1_77371	52456233	1		R02_0_67613	53057666	1



## SPARE PARTS INSTANCE INDEX

Code	Parts Table	Pos.	Q.ty	Code	Parts Table	Pos.	Q.ty	Code	Parts Table	Pos.	Q.ty
53057666	R02_1_82042	53057666	1	55157213	M01_0_67400	55157213	1	56156224	B01_1_72788	56156224	1
53057670	R.02.01.A0003_02	2	1	55242528	M01_0_67400	55242528	1		B01_2_77329	56156224	1
530C0056	R.02.01.A0003_02	4	1	55243340	K01_0_67213	55243340	1	56156246N	A01_0_66711	56156246	1
53143128V	G01_0_66844	53143128	1	55248379	M01_0_67400	55248379	1	56156247	C.01.01.A0001_02	4	1
53143712	P01_0_67539	53143712	1	55251686	J01_0_67154	55251686	1		C01_0_66780	56156247	1
	P01_1_81340	53143712	1	55251688	J01_0_67154	55251688	1		C01_1_72820	56156247	1
53143875V	G01_0_66844	53143875	1	55252405	A01_0_66711	55252405	1	56156276	F01_0_66821	56156276	1
53156203V	G01_0_66844	53156203	1	55252406	A01_0_66711	55252406	1		F01_1_77388	56156276	1
53156205	F01_0_66821	53156205	1	55252415	A01_0_66711	55252415	1	56156281	F01_0_66821	56156281	1
	F01_1_77388	53156205	1	55256185	K01_0_67213	55256185	1		F01_1_77388	56156281	1
53156206	F01_0_66821	53156206	1	55256197	L01_0_67298	55256197	1	56156288Z	E01_0_66804	56156288	1
	F01_1_77388	53156206	1	55256228	B.01.01.A0001_03	13	1		E01_1_77371	56156288	1
53156207	F01_0_66821	53156207	1		B01_0_66748	55256228	1	56156603Z	K01_0_67213	56156603	1
	F01_1_77388	53156207	1		B01_1_72788	55256228	1	56156658	B.01.01.A0001_03	26	1
53156209	D.01.01.A0001_02	3	1		B01_2_77329	55256228	1		B01_0_66748	56156658	1
	D01_0_66794	53156209	1	55256835	L01_0_67298	55256835	1		B01_1_72788	56156658	1
	D01_1_77361	53156209	1	55256836	L01_0_67298	55256836	1		B01_2_77329	56156658	1
53156210	C.01.01.A0001_02	8	1	55257313	M01_0_67400	55257313	1	56156818N	M01_0_67400	56156818	1
	C01_0_66780	53156210	1	55257321	M01_0_67400	55257321	1	56156819N	M01_0_67400	56156819	1
	C01_1_72820	53156210	1	552C0029	Q01_1_81859	552C002	1	56156827N	I01_0_67010	56156827	1
53156218	C.01.01.A0001_02	10	1	56119937	Q01_0_67569	56119937	1	56156832Z	L01_0_67298	56156832	1
	C01_0_66780	53156218	1		Q01_1_81859	56119937	1	56156834Z	L01_0_67298	56156834	1
	C01_1_72820	53156218	1	56137370	Q01_0_67569	56137370	1	56156874N	K01_0_67213	56156874	1
53156332V	G01_0_66844	53156332	1		Q01_1_81859	56137370	1	56157234H	M01_0_67400	56157234	1
53156342V	G01_0_66844	53156342	1	56143059	I01_0_67010	56143059	1	56157271N	M01_0_67400	56157271	1
53156659	D.01.01.A0001_02	3	1	56147520Z	G01_0_66844	56147520	1	56157323N	M01_0_67400	56157323	1
53156826N	I01_0_67010	53156826	1	56148218N	N.01.01.A0003_01	1	1	56157387	Q01_0_67569	56157387	1
53156860	L01_0_67298	53156860	1		N01_0_67516	56148218	1		Q01_1_81859	56157387	1
532C0055	F01_1_77388	532C005	1	56148287	L01_0_67298	56148287	1	56157399	A01_0_66711	56157399	1
54143090	I01_0_67010	54143090	1	56148470N	K01_0_67213	56148470	1	56343058	I01_0_67010	56343058	1
55102678	G01_0_66844	55102678	1	56149590	Q01_0_67569	56149590	1	56347870Z	E01_0_66804	56347870	1
55157212	L01_0_67298	55157212	1		Q01_1_81859	56149590	1		E01_1_77371	56347870	1
	M01_0_67400	55157212	1	56156224	B.01.01.A0001_03	23	1	56347873	E01_0_66804	56347873	1
55157213	L01_0_67298	55157213	1		B01_0_66748	56156224	1		E01_1_77371	56347873	1



## SPARE PARTS INSTANCE INDEX

Code	Parts Table	Pos.	Q.ty	Code	Parts Table	Pos.	Q.ty	Code	Parts Table	Pos.	Q.ty
56351685Z	J01_0_67154	56351685	1	56456347	H.01.01.A0003_01	19	1	58048214	N.01.01.A0003_01	2	1
56356184Z	K01_0_67213	56356184	1		H01_0_66868	56456347	1		N01_0_67516	58048214	1
56356212	C01_0_66780	56356212	1	56456350	H.01.01.A0003_01	14	1	58048215	N.01.01.A0003_01	7	1
56356215	C01_0_66780	56356215	1		H01_0_66868	56456350	1		N01_0_67516	58048215	1
56356216	C.01.01.A0001_02	2	1	56456475	H.01.01.A0003_01	16	1	58048330	P01_1_81340	58048330	1
	C01_0_66780	56356216	1		H01_0_66868	56456475	1	58049541	Q01_0_67569	58049541	1
	C01_1_72820	56356216	1	56456657	B.01.01.A0001_03	25	1		Q01_1_81859	58049541	1
56356239	F01_0_66821	56356239	1		B01_0_66748	56456657	1	58050345	K01_0_67213	58050345	1
	F01_1_77388	56356239	1		B01_1_72788	56456657	1	58052019	R02_0_67613	58052019	1
56356240	F01_0_66821	56356240	1		B01_2_77329	56456657	1		R02_1_82042	58052019	1
	F01_1_77388	56356240	1	56556213	C.01.01.A0001_02	5	1	58052029	R02_0_67613	58052029	1
56356242	B.01.01.A0001_03	28	1		C01_0_66780	56556213	1		R02_1_82042	58052029	1
	B01_0_66748	56356242	1		C01_1_72820	56556213	1	58052037	R02_0_67613	58052037	1
	B01_1_72788	56356242	1	56556282	E01_0_66804	56556282	1		R02_1_82042	58052037	1
	B01_2_77329	56356242	1		E01_1_77371	56556282	1	58052038	R02_0_67613	58052038	1
56356328	H.01.01.A0003_01	23	1	58002538	K01_0_67213	58002538	1		R02_1_82042	58052038	1
	H01_0_66868	56356328	1	58020258	M01_0_67400	58020258	1	58052039	R02_0_67613	58052039	1
56356329	H.01.01.A0003_01	23	1	58042219	J01_0_67154	58042219	1		R02_1_82042	58052039	1
	H01_0_66868	56356329	1	58042746	P01_1_81340	58042746	1	58052047	R02_0_67613	58052047	1
56356330	H.01.01.A0003_01	23	1	58043053	G01_0_66844	58043053	1		R02_1_82042	58052047	1
	H01_0_66868	56356330	1	58043086	H.01.01.A0003_01	10	1	58052152	R02_0_67613	58052152	1
56356331	H.01.01.A0003_01	23	1		H01_0_66868	58043086	1		R02_1_82042	58052152	1
	H01_0_66868	56356331	1	58043117	G01_0_66844	58043117	1	58052156	R02_0_67613	58052156	1
56356348	H.01.01.A0003_01	17	1	58043250	P01_1_81340	58043250	1	58052178	R.02.01.A0003_02	6	1
	H01_0_66868	56356348	1	58044804	P01_1_81340	58044804	1	58052179	R.02.01.A0003_02	7	1
56356661	B.01.01.A0001_03	22	1	58045804	Q01_0_67569	58045804	1	58052180	R.02.01.A0003_02	9	1
	B01_0_66748	56356661	1		Q01_1_81859	58045804	1	58052181	R.02.01.A0003_02	11	1
	B01_1_72788	56356661	1	58045807	Q01_0_67569	58045807	1	58052182	R.02.01.A0003_02	12	1
	B01_2_77329	56356661	1		Q01_1_81859	58045807	1	58052191	R.02.01.A0003_02	13	1
56356833Z	L01_0_67298	56356833	1	58047460	Q01_0_67569	58047460	1		R02_1_82042	58052191	1
56356840Z	L01_0_67298	56356840	1		Q01_1_81859	58047460	1	58052192	R.02.01.A0003_02	10	1
	N.01.01.A0003_01	4	1	58047712	L01_0_67298	58047712	1	58052193	R.02.01.A0003_02	8	1
	N01_0_67516	56356840	1	58048000	K01_0_67213	58048000	1	58052288	P01_0_67539	58052288	1
56356858Z	L01_0_67298	56356858	1	58048009	L01_0_67298	58048009	1	58052326	P01_0_67539	58052326	1



# SPARE PARTS INSTANCE INDEX

Code	Parts Table	Pos.	Q.ty	Code	Parts Table	Pos.	Q.ty	Code	Parts Table	Pos.	Q.ty
58052327	P01_0_67539	58052327	1	58056866	R01_0_67594	58056866	1	59048200N	N.01.01.A0003_01	6	1
58052328	P01_0_67539	58052328	1	58056867	R01_0_67594	58056867	1		N01_0_67516	59048200	1
58052332	P01_0_67539	58052332	1	58056868	R01_0_67594	58056868	1	59048208	N.01.01.A0003_01	8	1
	P01_1_81340	58052332	1	58056869	R01_0_67594	58056869	1	59048208N	N01_0_67516	59048208	1
58056154	K01_0_67213	58056154	1	58056991	A01_0_66711	58056991	1	59053021G	A01_0_66711	59053021	1
58056155	K01_0_67213	58056155	1	58057232Z	M01_0_67400	58057232	1	59053040G	A01_0_66711	59053040	1
58056186Z	K01_0_67213	58056186	1	58057266	A01_0_66711	58057266	1	59056127G	A01_0_66711	59056127	1
58056190	K01_0_67213	58056190	1	58057386	Q01_0_67569	58057386	1	59056225Z	B.01.01.A0001_03	14	1
58056191	K01_0_67213	58056191	1		Q01_1_81859	58057386	1		B01_0_66748	59056225	1
58056192	B01_0_66748	58056192	1	58057450	R01_0_67594	58057450	1		B01_1_72788	59056225	1
	B01_1_72788	58056192	1	58057451	R01_0_67594	58057451	1		B01_2_77329	59056225	1
	B01_2_77329	58056192	1	58057610	Q01_0_67569	58057610	1	59056230Z	B01_0_66748	59056230	1
58056208	D.01.01.A0001_02	1	1	58057625	R01_0_67594	58057625	1		B01_1_72788	59056230	1
	D01_1_77361	58056208	1	58057676	R01_0_67594	58057676	1		B01_2_77329	59056230	1
58056221	B.01.01.A0001_03	21	1	58057677	R01_0_67594	58057677	1	59056248	G01_0_66844	59056248	1
	B01_0_66748	58056221	1	58057724	R01_0_67594	58057724	1	59056298Z	B.01.01.A0001_03	18	1
	B01_1_72788	58056221	1	58057732	R01_0_67594	58057732	1	59056378	H01_0_66868	59056378	1
	B01_2_77329	58056221	1	58057746	R01_0_67594	58057746	1	59056395	H.01.01.A0003_01	2	1
58056222	B.01.01.A0001_03	12	1	58057747	R01_0_67594	58057747	1	59056672	G01_0_66844	59056672	1
	B01_0_66748	58056222	1	58057748	R01_0_67594	58057748	1	59056817B	J01_0_67154	59056817	1
	B01_1_72788	58056222	1	58057767	R01_0_67594	58057767	1	59056823V	M01_0_67400	59056823	1
	B01_2_77329	58056222	1	58057768	R01_0_67594	58057768	1	59056824N	M01_0_67400	59056824	1
58056238	B01_0_66748	58056238	1	58093089	R01_0_67594	58093089	1	59056830	I01_0_67010	59056830	1
58056249	D01_0_66794	58056249	1	580C0041	B.01.01.A0001_03	7	1	59057228N	M01_0_67400	59057228	1
58056391	H.01.01.A0003_01	12	1		B01_2_77329	580C004	1	59057325	M01_0_67400	59057325	1
	H01_0_66868	58056391	1	58135225	Q01_0_67569	58135225	0	59057390	Q01_0_67569	59057390	1
58056595	L01_0_67298	58056595	1		Q01_1_81859	58135225	0		Q01_1_81859	59057390	1
58056683	B.01.01.A0001_03	27	1	58150313	K01_0_67213	58150313	1	59057604	Q01_0_67569	59057604	1
58056798Z	B01_0_66748	58056798	1	58157405	Q01_0_67569	58157405	1		Q01_1_81859	59057604	1
	B01_1_72788	58056798	1		Q01_1_81859	58157405	1	59256035	D.01.01.A0001_02	5	1
58056811	K01_0_67213	58056811	1	58170021	B.01.01.A0001_03	6	1		D01_0_66794	59256035	1
58056837	L01_0_67298	58056837	1		B01_0_66748	58170021	1		D01_1_77361	59256035	1
58056843	L01_0_67298	58056843	1		B01_1_72788	58170021	1	59256036	D.01.01.A0001_02	5	1
58056864	R01_0_67594	58056864	1		B01_2_77329	58170021	1		D01_0_66794	59256036	1



## SPARE PARTS INSTANCE INDEX

Code	Parts Table	Pos.	Q.ty
59256036	D01_1_77361	59256036	1
59256037	D.01.01.A0001_02	5	1
	D01_0_66794	59256037	1
	D01_1_77361	59256037	1
59256038	D.01.01.A0001_02	5	1
	D01_0_66794	59256038	1
	D01_1_77361	59256038	1
59256039	D.01.01.A0001_02	5	1
	D01_0_66794	59256039	1
	D01_1_77361	59256039	1
59256180	L01_0_67298	59256180	1
59256200	B.01.01.A0001_03	11	1
	B01_0_66748	59256200	1
	B01_1_72788	59256200	1
	B01_2_77329	59256200	1
59256693	C.01.01.A0001_02	12	1
	C01_1_72820	59256693	1
59256855	K01_0_67213	59256855	1
92249993	P01_0_67539	92249993	1
	P01_1_81340	92249993	1
92480703	P01_0_67539	92480703	1
	P01_1_81340	92480703	1
92480719	P01_0_67539	92480719	1
	P01_1_81340	92480719	1
92480720	P01_0_67539	92480720	1
	P01_1_81340	92480720	1
92480721	P01_0_67539	92480721	1
	P01_1_81340	92480721	1
92480757	P01_0_67539	92480757	1
	P01_1_81340	92480757	1
92480758	P01_0_67539	92480758	1
	P01_1_81340	92480758	1
92480836	P01_0_67539	92480836	1
	P01_1_81340	92480836	1

Code	Parts Table	Pos.	Q.ty
F0803067000	F01_0_66821	F0803067	1
	F01_1_77388	F0803067	1
F0803075500	F01_0_66821	F0803075	1
	F01_1_77388	F0803075	1
F0825500200	Q01_0_67569	F0825500	1
	Q01_1_81859	F0825500	1
F0825500210	Q01_0_67569	F0825500	1
	Q01_1_81859	F0825500	1
F0825500220	Q01_0_67569	F0825500	1
	Q01_1_81859	F0825500	1
F0831193010	M01_0_67400	F0831193	1
F0844273090	B.01.01.A0001_03	8	1
	B01_0_66748	F0844273	1
	B01_1_72788	F0844273	1
	B01_2_77329	F0844273	1